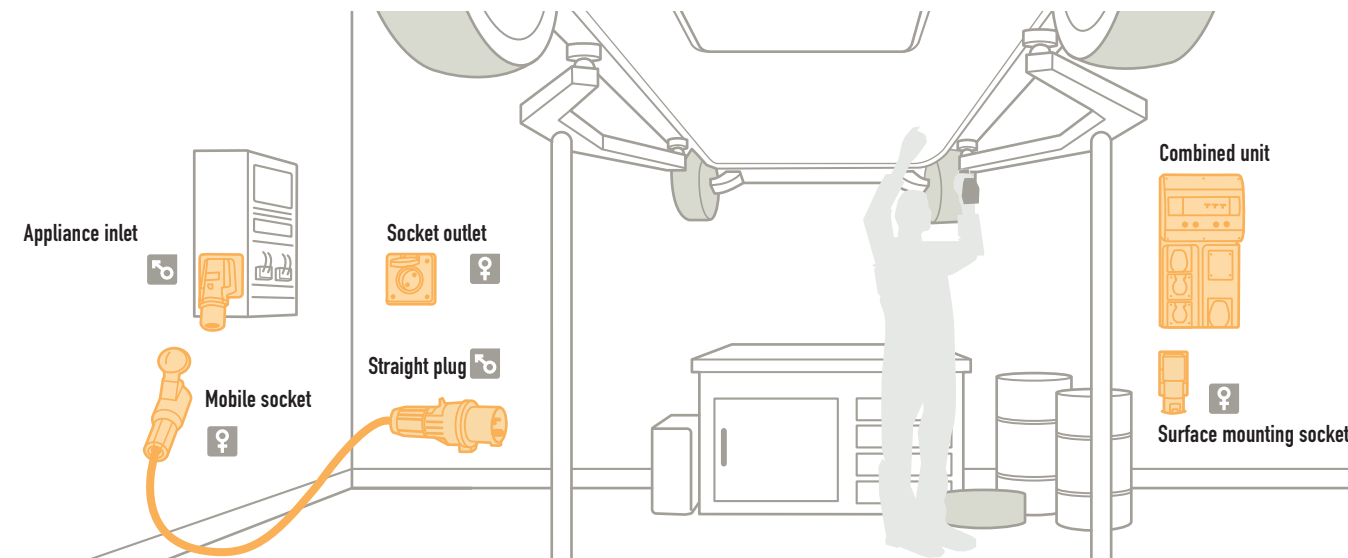
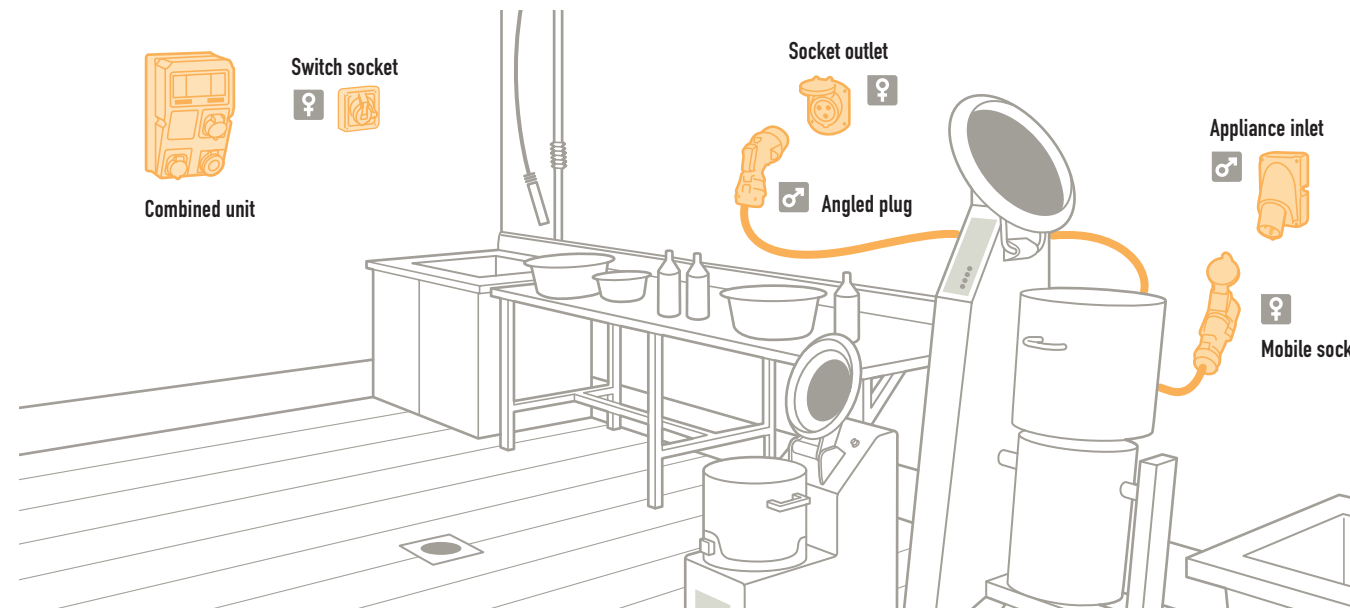


Hypra and P 17 industrial sockets

2 ranges cover 3 levels of weatherproofing: IP 44, IP 66/67 and IP 66/67-55:
 Hypra is recommended for harsh environments (dust, water splashes, etc) such as food processing, silos, marine environments.
 P 17 for environments where there are no particular stresses, such as light industry, public buildings, etc.

Hypra and P 17

PRODUCTS	HYPR	P 17
<ul style="list-style-type: none"> • SOCKETS <ul style="list-style-type: none"> - panel-mounting - surface-mounting - through-wiring surface-mounting - combined unit 		
<ul style="list-style-type: none"> • APPLIANCE INLETS <ul style="list-style-type: none"> - to supply a device on which they are installed 		
<ul style="list-style-type: none"> • STRAIGHT OR ANGLED PLUGS <ul style="list-style-type: none"> - electrical connections that can be removed from a machine or device 		
<ul style="list-style-type: none"> • MOBILE SOCKETS <ul style="list-style-type: none"> - extensions between the panel socket and the machine to be supplied (equipped with an appliance inlet) 		
<ul style="list-style-type: none"> • COMBINED UNITS <ul style="list-style-type: none"> - protect a set of panel sockets (ELV, LV all voltages, domestic pin configuration, etc.) - single socket or multi-socket empty or with sockets - with modular protection 		



Specific to Hypra

- **Hypra Prisinter**
Compact interlocked socket outlet, for protection of workers



Specific to P 17

- **Phase inverter plugs**
For changing the direction of rotation of a 3-phase electric motor

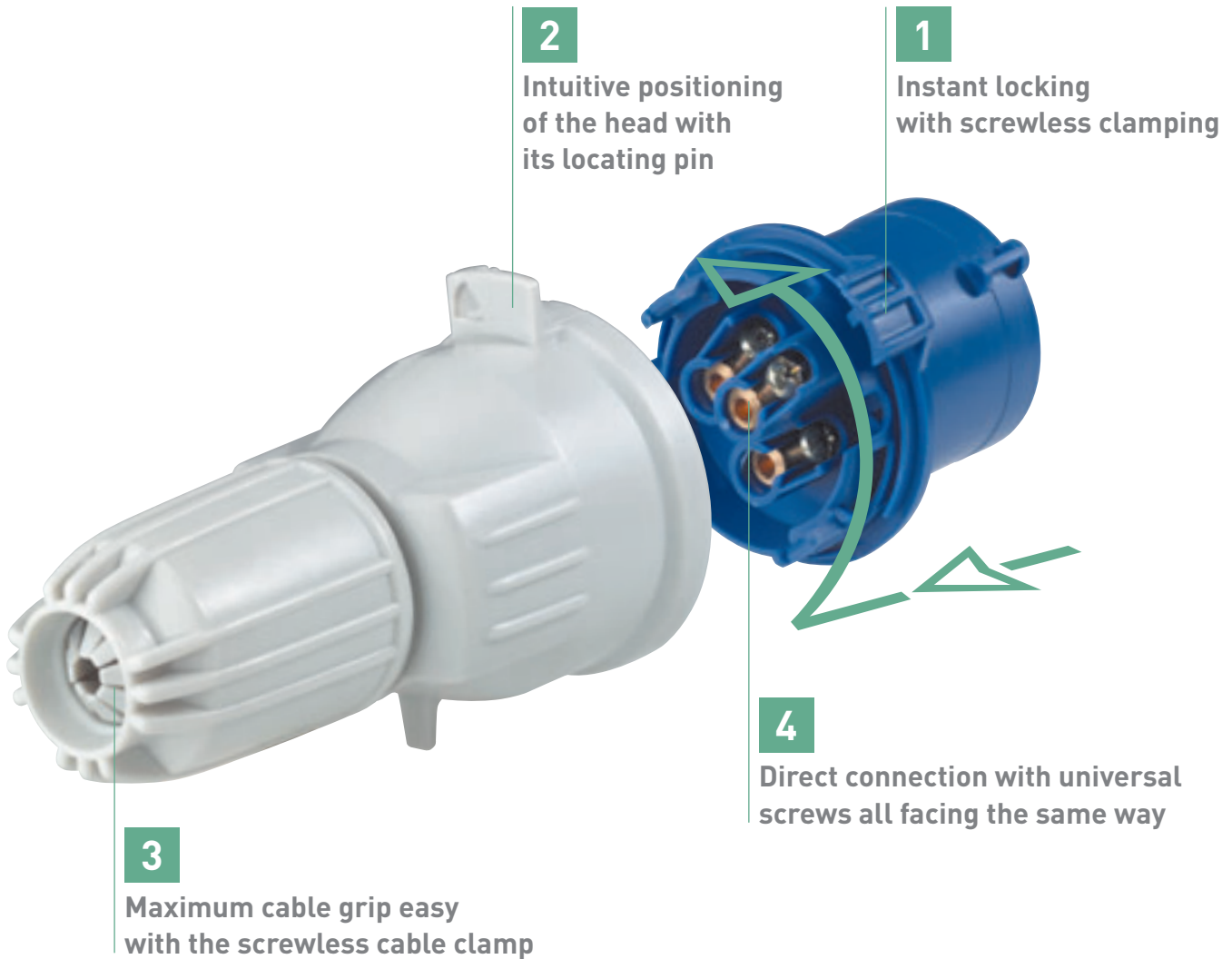


CONFORMITY WITH STANDARDS

- NF EN 60309-1, NF EN 60309-2 and IEC 60309-1 and 2 reliability and interchangeability
- NF EN 60529 and IEC 60529 weatherproof protection
- NF EN 62262 and IEC 62262 mechanical resistance
- NF EN 60439-1 and IEC 60439-1 for combined units
- IEC 60695-2-10 self-extinguishing
- NF C 61-314 and NF C 15-100 domestic pin configuration



Straight plugs: mobility and resistance



> Faster to install

- The larger body size makes wiring very easy
- Screwless clamping



> Easy to use

- Grip
- Wiring space

> Reinforced safety

- The elongated earth terminal is disconnected last

P 17 Tempra IP 44 - LV 16 and 32 A

sockets, plugs, mobile sockets, appliance inlets



Technical characteristics (p. 388)

Pack	Cat.Nos		Surface mounting sockets
	16 A	32 A	Closing without screws (except 500 V)
10	555 50		100/130 V~ 2P + ⊥
10	555 53	555 73	200/250 V~ 2P + ⊥
1110	555 57	555 77	380/415 V~ 3P + ⊥
10	555 58	555 78	3P + N + ⊥
5	553 59	553 79	480/500 V~ 3P + ⊥
5	553 60	553 80	3P + N + ⊥

Pack	Cat.Nos		Straight plugs
	16 A	32 A	Cable clamping and closing without screws (except 500 V)
10	574 31		100/130 V~ 2P + ⊥
10	574 34	581 34	200/250 V~ 2P + ⊥
10	574 38	581 38	380/415 V~ 3P + ⊥
10	574 39	581 39	3P + N + ⊥
5	563 59	563 79	480/500 V~ 3P + ⊥
5	563 60	563 80	3P + N + ⊥

Pack	Cat.Nos		Surface mounting sockets with tapping and reversible rear base
	16 A	32 A	Closing without screws (3 ISO 20/25 cable entries)
5	556 53	556 73	200/250 V~ 2P + ⊥
5	556 57	556 77	380/415 V~ 3P + ⊥
5	556 58	556 78	3P + N + ⊥

Pack	Cat.Nos		Mobile sockets
	16 A	32 A	Cable clamping and closing without screws (except 500 V)
10	575 11		100/130 V~ 2P + ⊥
10	575 14	582 14	200/250 V~ 2P + ⊥
10	575 18	582 18	380/415 V~ 3P + ⊥
10	575 19	582 19	3P + N + ⊥
5	562 59	562 79	480/500 V~ 3P + ⊥
5	562 60	562 80	3P + N + ⊥

Pack	Cat.Nos		Panel mounting sockets inclined outlet
	16 A	32 A	Can be fixed on plain faceplates or pre-drilled (p. 394) and on flush mounting boxes (p. 386)
5	576 10		100/130 V~ 2P + ⊥
10	576 11	576 12	200/250 V~ 2P + ⊥
10	576 17	576 18	380/415 V~ 3P + ⊥
10	576 23	576 24	3P + N + ⊥
5	576 19	576 20	480/500 V~ 3P + ⊥
5	576 25	576 26	3P + N + ⊥

Pack	Cat.Nos		Appliance inlets
	16 A	32 A	100/130 V~ 2P + ⊥
5	575 81		200/250 V~ 2P + ⊥
5	575 84	582 84	380/415 V~ 3P + ⊥
5	575 88	582 88	3P + N + ⊥
5	575 89	582 89	480/500 V~ 3P + ⊥
5	575 90	582 90	3P + N + ⊥
5	575 91	582 91	

Pack	Cat.Nos		Panel mounting sockets straight outlet small flange
	16 A		Can be fixed only on plain faceplates
5	573 54		Cat.Nos 577 15/16 (p. 394) 200/250 V~ 2P + ⊥

P 17 Tempra - domestic pin configuration 16 A - 250 V~

P 17 Tempra IP 44 - ELV 16 and 32 A



Technical characteristics (p. 389)

Pack	Cat.Nos	Panel mounting sockets
		Domestic pin configuration sockets (German standard with safety shutters) IP 54 cover closed - IP 44 connected IK 09 according to IEC 62262 and EN 62262 2P + \perp 250 V~ Material: plastic Self-extinguishing: 850 °C
20	576 69	White panel mounting sockets with small flange Cannot be fixed on pre-drilled faceplate
20	576 72	Blue panel mounting sockets Can be fixed on faceplate of the P17 combined units (p. 394)

Pack	Cat.Nos	Adaptor
10	521 05	16 A - 250 V~ IEC input 2P + \perp Output: empty model to be equipped with Mosaic mechanism all standards

Pack	Cat.Nos	Flush mounting boxes
		IP 55 For panel mounting sockets inclined outlet installation (IP 44 or IP 66/67) Flush mounting boxes with faceplates
3	577 21	For 2 panel mounting sockets With single fixing centres 70x70 mm - 16 A
3	577 22	For 1 panel mounting socket With single fixing centres 70x70 mm - 16 or 32 A (32 A to be fixed horizontally)

Technical characteristics (p. 390)

Pack	Cat.Nos	Surface mounting sockets
5	16 A 552 06	32 A 552 56
5	552 08	552 58
5	552 09	552 59

Pack	Cat.Nos	Panel mounting sockets
5	16 A 552 45	32 A 552 95
5	552 47	552 97
5	552 48	552 98

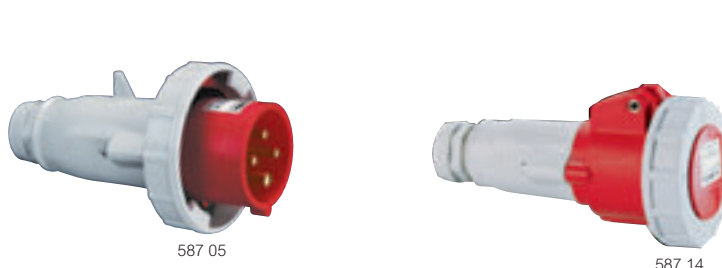
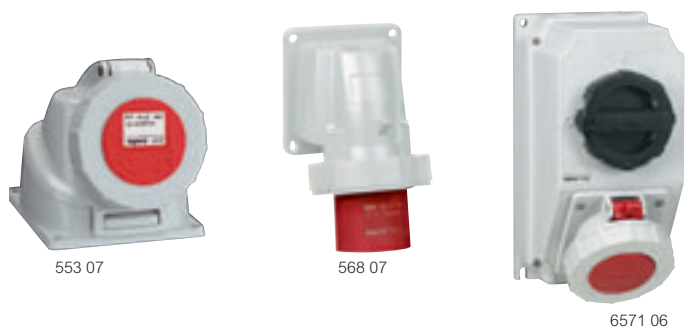
Pack	Cat.Nos	Straight plugs
5	16 A 552 21	32 A 552 71
5	552 23	552 73
5	552 24	552 74

Pack	Cat.Nos	Mobile sockets
5	16 A 552 31	32 A 552 81
5	552 33	552 83
5	552 34	552 84

Pack	Cat.Nos	Appliance inlets
5	16 A 552 41	32 A 552 91
5	552 43	552 93
5	552 44	552 94

P 17 Tempra IP 66/67 - LV 16 and 32 A

P 17 Tempra IP 66/67 - LV 63 and 125 A



Technical characteristics (p. 390)

Pack	Cat.Nos		Surface mounting sockets
5	16 A 553 03	32 A 553 23	200/250 V~ 2P + ⊥
5	553 07	553 27	380/415 V~ 3P + ⊥
5	553 08	553 28	3P + N + ⊥

Pack	Cat.Nos		Panel mounting sockets
5	16 A 576 51	32 A 576 52	200/250 V~ 2P + ⊥
5	576 57	576 58	380/415 V~ 3P + ⊥
5	576 63	576 64	3P + N + ⊥

Pack	Cat.Nos		Straight plugs
5	16 A 563 03	32 A 563 23	200/250 V~ 2P + ⊥
5	563 07	563 27	380/415 V~ 3P + ⊥
5	563 08	563 28	3P + N + ⊥

Pack	Cat.Nos		Mobile sockets
5	16 A 562 03	32 A 562 23	200/250 V~ 2P + ⊥
5	562 07	562 27	380/415 V~ 3P + ⊥
5	562 08	562 28	3P + N + ⊥

Pack	Cat.Nos		Appliance inlets
5	16 A 568 03	32 A 568 23	200/250 V~ 2P + ⊥
5	568 07	568 27	380/415 V~ 3P + ⊥
5	568 08	568 28	3P + N + ⊥

Pack	Cat.Nos		Combined unit, plug and mobile socket for refrigerated containers
1	6571 06		32 A - 440 V~ - 50/60 Hz - 3 P + ⊥ - 3 hours IK 09 Plastic body and cover - Stainless steel screws Combined unit with interlocked switched socket - Double mechanical interlock - Cable glands are not supplied
1	6571 26		Straight plug With cable grip Ø12 to 21.5 mm
1	6571 46		Mobile socket With cable grip Ø12 to 21.5 mm

Technical characteristics (p. 391)

Pack	Cat.Nos		Surface mounting sockets
2	63 A 587 40	125 A	200/250 V~ 2P + ⊥
2 1	587 44	591 06	380/415 V~ 3P + ⊥
2 1	587 45	591 07	3P + N + ⊥

Pack	Cat.Nos		Panel mounting sockets
2	63 A 587 20	125 A	200/250 V~ 2P + ⊥
2 1	587 24	591 16	380/415 V~ 3P + ⊥
2 1	587 25	591 17	3P + N + ⊥

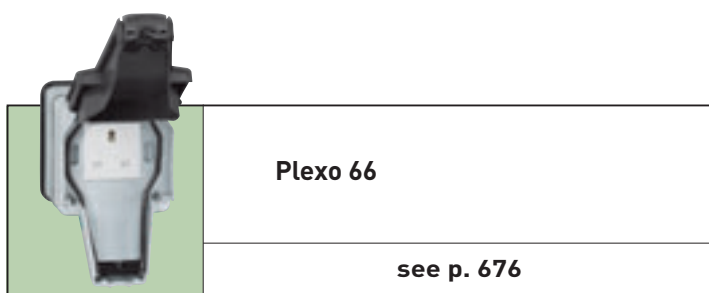
Pack	Cat.Nos		Straight plugs
2	63 A 587 00	125 A	200/250 V~ 2P + ⊥
2 1	587 04	591 26	380/415 V~ 3P + ⊥
2 1	587 05	591 27	3P + N + ⊥

Pack	Cat.Nos		Mobile sockets
2	63 A 587 10	125 A	200/250 V~ 2P + ⊥
2 1	587 14	591 36	380/415 V~ 3P + v
2 1	587 15	591 37	3P + N + ⊥

Pack	Cat.Nos		Appliance inlets
2	63 A 587 30	125 A	200/250 V~ 2P + ⊥
2 1	587 34	591 46	380/415 V~ 3P + ⊥
2 1	587 35	591 47	3P + N + ⊥



Other voltages on request



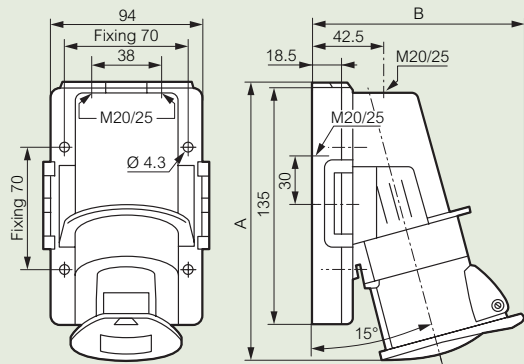
■ Characteristics

Terminal connection:
 • Panel and surface mounting sockets
 16 A: max. 1 x 4 mm² rigid
 32 A: max. 1 x 10 mm² rigid
 • Appliance inlets:
 16 A: max. 1 x 2.5 mm² rigid
 32 A: max. 1 x 6 mm² rigid
 • Plugs and mobile sockets:
 16 A: max. 1 x 2.5 mm² flexible
 32 A: max. 1 x 6 mm² flexible
 IP 44 according to IEC and EN 60529
 IK 09 according to IEC 62262 and EN 62262
 Material: plastic
 Self-extinguishing: 850 °C (support of active parts) / 650 °C (plastic housing)
 - 25 °C to + 40 °C according to IEC 60309-1
 480 to 500 V~ straight plugs and mobile sockets have a flexible membrane

■ Dimensions

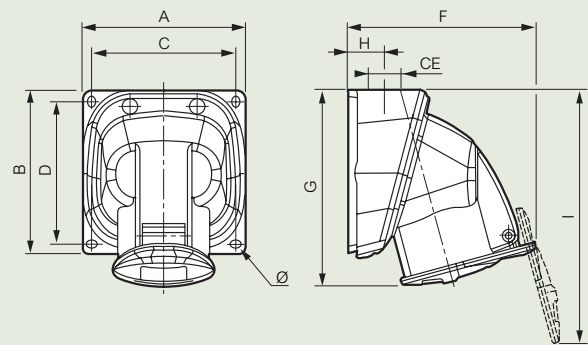
Surface mounting sockets (p. 385)
 100/130 V~ to 380/415 V~

Cat.Nos 555 50/53/57/58 and 555 73/77/78



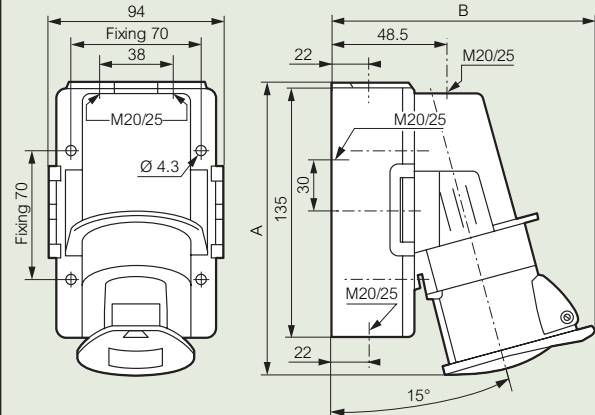
	LV 16 A			LV 32 A		
	2P+⊥	3P+⊥	3P+N+⊥	2P+⊥	3P+⊥	3P+N+⊥
A	158	158	171	181	181	192
B	121	123	130	135	135	140

480/500 V~
 Cat.Nos 553 59/60/79/80



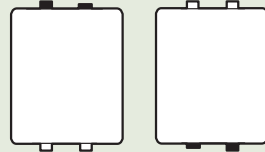
	Weight (kg)	A	B	C	D	F	G	H	I	CE	Ø
LV 16 A											
3P+⊥	0.244	100	100	88	87	115	120	24	156	M 20	4.3
3P+N+⊥	0.269	100	100	88	87	118.5	121	24	162	M 20	4.3
LV 32 A											
3P+⊥	0.356	110	110	98	97	135	162	30	174	M 25	5.3
3P+N+⊥	0.397	110	110	98	97	137	162.5	30	178	M 25	5.3

Surface mounting sockets with tapping and reversible rear base
 Cat.Nos 556 53/57/57/58/73/77/78

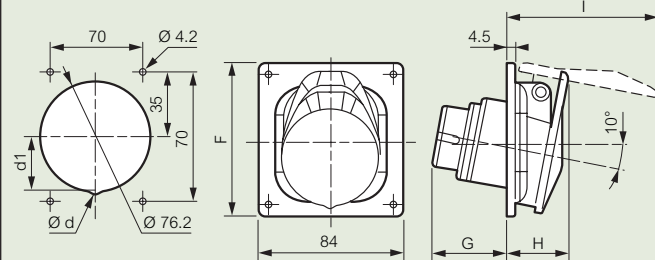


	16 A			32 A		
	2P+⊥	3P+⊥	3P+N+⊥	2P+⊥	3P+⊥	3P+N+⊥
A	158	158	171	181	181	192
B	151	153	160	165	165	170

Reversible box for surface-mounting socket with tapping



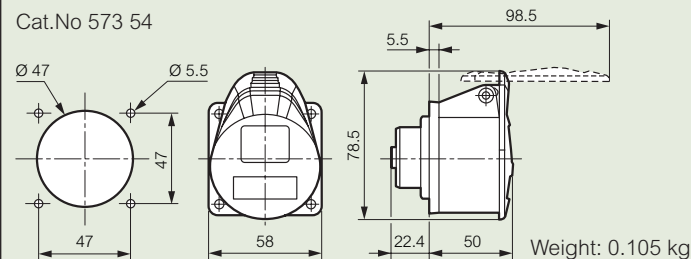
Panel mounting sockets inclined outlet (p. 385)



	Weight (kg)	ød	d1	F	G	H	I
LV 16 A							
2P+⊥	0.110	-	-	84	42	33	83.5
3P+⊥	0.140	-	-	84	43	34.5	91.3
3P+N+⊥	0.165	-	-	84	43	36.5	100
LV 32 A							
2P+⊥	0.220	-	-	94	54	44	112
3P+⊥	0.255	8	36	94	54	45	120

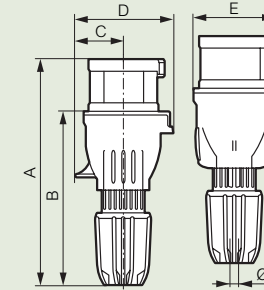
Panel mounting socket straight outlet small flange (p. 385)

Cat.No 573 54



Straight plugs (p. 385)

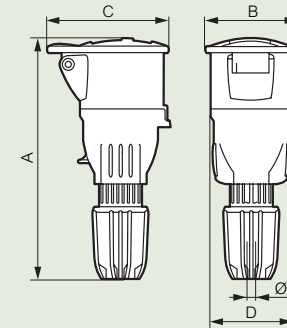
Cat.Nos 574 31/34/38/39 and 581 34/38/39



	A	B	C	D	E	Ø
LV 16 A						
2P+⊥	143 to 159	106 to 122	30	65	56	8 to 14
3P+⊥	143 to 159	106 to 122	34	69	56	8 to 14
3P+N+⊥	152 to 168	115 to 131	38	78	65	10 to 18
LV 32 A						
2P+⊥	161 to 177	115 to 131	39	79	65	10 to 18
3P+⊥	161 to 177	115 to 131	39	79	65	12 to 20
3P+N+⊥	167 to 181	121 to 135	45	88	72	14 to 21

Mobile sockets (p. 385)

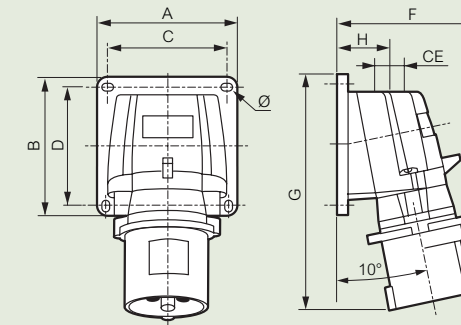
Cat.Nos 575 11/14/18/19 and 582 14/18/19



	A	B	C	D	Ø
LV 16 A					
2P+⊥	153 to 169	55	78	56	8 to 14
3P+⊥	153 to 169	62	85	56	8 to 14
3P+N+⊥	164 to 180	70	94	65	10 to 18
LV 32 A					
2P+⊥	174 to 190	71	98	65	10 to 18
3P+⊥	174 to 190	71	98	65	12 to 20
3P+N+⊥	177 to 191	77	101	72	14 to 21

Appliance inlets (p. 385)

Cat.Nos 575 81/84/88/89/90/91 and 582 84/88/89/90/91

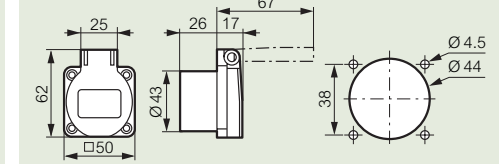


	Weight (kg)	A	B	C	D	F	G	H	CE	Ø
LV 16 A										
2P+⊥	0.168	84	84	72	72	77	126	34	M20	4.3
3P+⊥	0.232	84	84	72	72	84	134	34	M20	4.3
3P+N+⊥	0.256	84	84	72	72	91	141	34	M20	4.3
LV 32 A										
2P+⊥	0.325	110	110	98	98	96	168	39	M25	5.3
3P+⊥	0.364	110	110	98	98	102	168	39	M25	5.3

■ Dimensions

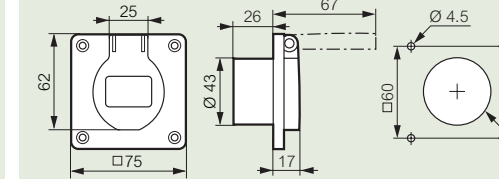
Domestic pin configuration sockets (p. 387)

Cat.No 576 69



Weight: 0.046 Kg

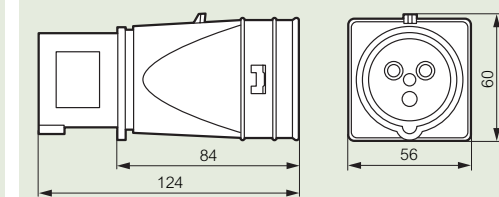
Cat.No 576 72



Weight: 0.052 Kg

Adaptor 16 A - 230 V (p. 387)

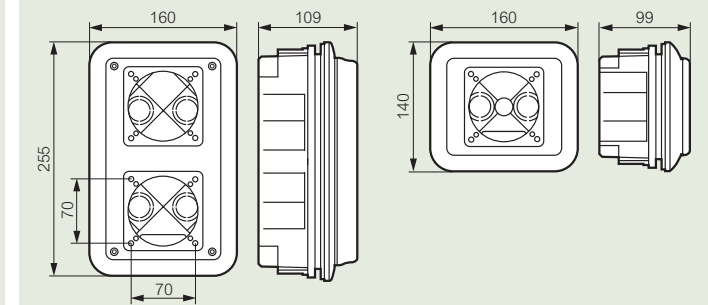
Cat.No 521 05



Flush mounting boxes (p. 387)

Cat.No 577 21

Cat.No 577 22



P 17 Tempra IP 44 - ELV 16 and 32 A

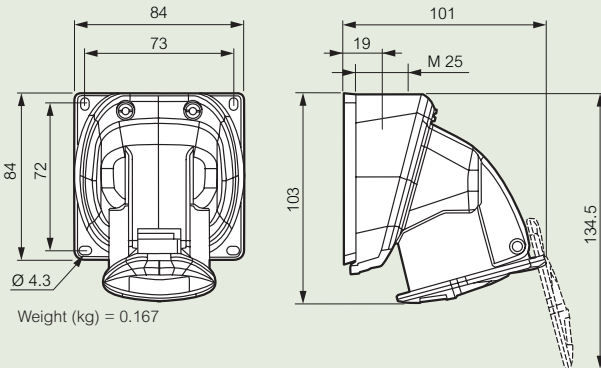
■ Characteristics

Terminal connection:
 Max. 1 x 10 mm² (rigid for fixed products flexible for mobile products)
 IP 44 according to IEC 60529 and EN 60529
 IK 09 according to IEC 62262 and EN 62262
 Material: plastic
 Self-extinguishing: 850 °C (support of active parts) / 650 °C (plastic housing)
 Temp. rating: - 25 °C to + 40 °C
 Conform to IEC 60309-1 / IEC 60309-2 and EN 60309-1 / EN 60309-2

■ Dimensions

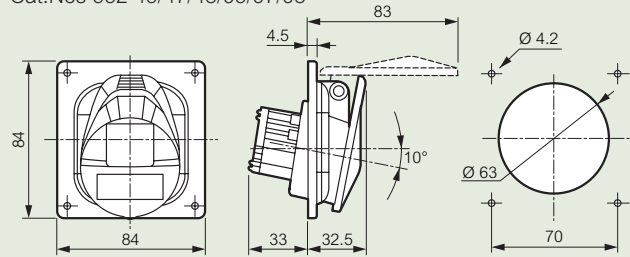
Surface mounting sockets (p. 386)

Cat.Nos 552 06/08/09/56/58/59

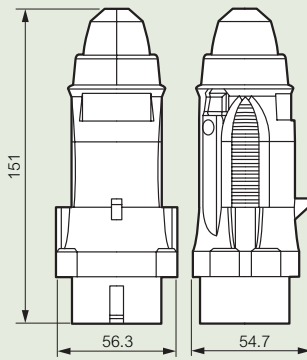


Panel mounting sockets (p. 386)

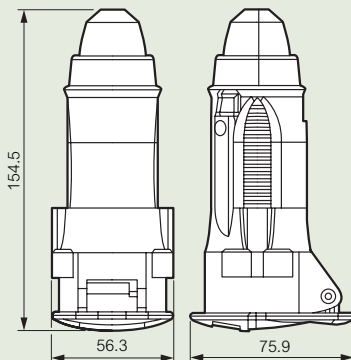
Cat.Nos 552 45/47/48/95/97/98



Straight plugs (p. 386)

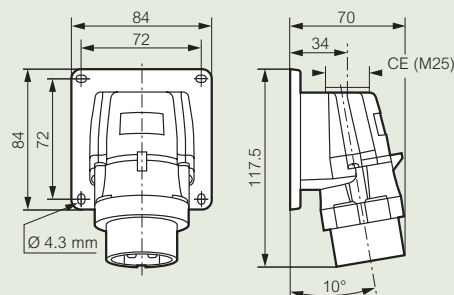


Mobile sockets (p. 386)



Appliance inlets (p. 386)

Cat.Nos 552 41/43/44 and 552 91/93/94



P 17 Tempra IP 66/67 - LV 16 and 32 A

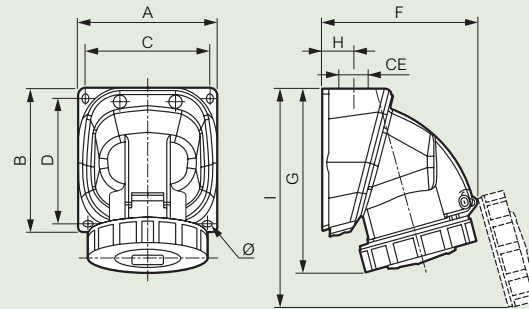
■ Characteristics

Terminal connection:
 • Panel and surface mounting sockets
 16 A: max. 1 x 4 mm² rigid - 32 A: max. 1 x 10 mm² rigid
 • Plugs, mobile sockets:
 16 A: max. 1 x 2,5 mm² flexible - 32 A: max. 1 x 6 mm² flexible
 • Appliance inlets:
 16 A: max. 1 x 2,5 mm² rigid - 32 A: max. 1 x 6 mm² rigid
 IP 66/67 according to IEC 60529 and EN 60529
 IK 09 according to IEC 62262 and EN 62262
 Material: plastic
 Self-extinguishing: 850 °C (support of active parts) / 650 °C (plastic housing)
 Temp. rating: - 25 °C to + 40 °C
 Conform to IEC 60309-1 and IEC 60309-2

■ Dimensions

Surface mounting sockets (p. 387)

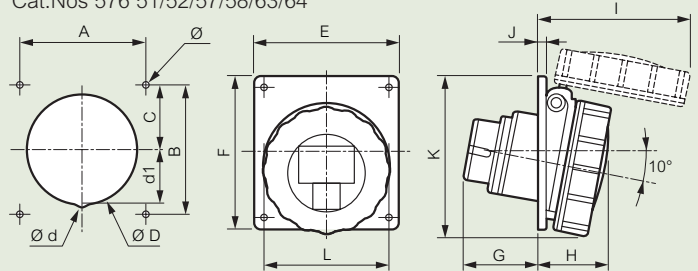
Cat.Nos 553 03/07/08/23/27/28



	Weight (kg)	A	B	C	D	F	G	H	I	CE	Ø
LV 16 A											
2P+⊥	0.230	84	84	73	72	94	112	20	130	M 20	4.3
3P+⊥	0.289	100	100	88	87	108	128	24	154	M 20	4.3
3P+N+⊥	0.317	100	100	88	87	110	129	24	157	M 20	4.3
LV 32 A											
2P+⊥	0.425	110	110	98	97	126	146	30	175	M 25	5.3
3P+⊥	0.467	110	110	98	97	136	170.5	30	205	M 25	5.3

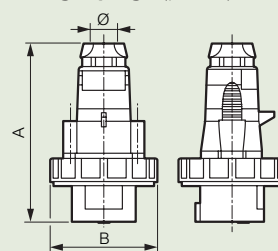
Panel mounting sockets (p. 387)

Cat.Nos 576 51/52/57/58/63/64



	Weight (kg)	Dimensions (mm)														
		A	B	C	ØD	Ød	d1	E	F	G	H	I	J	K	L	Ø
LV 16 A																
2P+⊥	0.140	70	70	35	76.2	-	-	84	84	42	39	83	4.5	90	72.5	4.2
3P+⊥	0.165	70	70	35	76.2	-	-	84	84	43	41	98	4.5	93	81	4.2
3P+N+⊥	0.195	70	70	35	76.2	-	-	84	84	43	41	99	4.5	91	86.5	4.2
LV 32 A																
2P+⊥/3P+⊥	0.240	70	70	35	76.2	-	-	84	94	54	50	113	4.5	101	94.5	4.2
3P+N+⊥	0.270	70	70	35	76.2	8	36	84	94	54	51	120	4.5	103	101	4.2

Straight plugs (p. 387)



	Weight (kg)	A	B	Ø
LV 16 A				
2P+⊥	0.165	122	72.5	8 to 14
3P+⊥	0.175	126	81	8 to 14
3P+N+⊥	0.218	142	86.5	10 to 17.5
LV 32 A				
2P+⊥	0.255	152	94.5	10 to 17.5
3P+⊥	0.276	152	94.5	12 to 21.5
3P+N+⊥	0.325	158	101	12 to 21.5

P 17 Tempra IP 44 - ELV 16 and 32 A

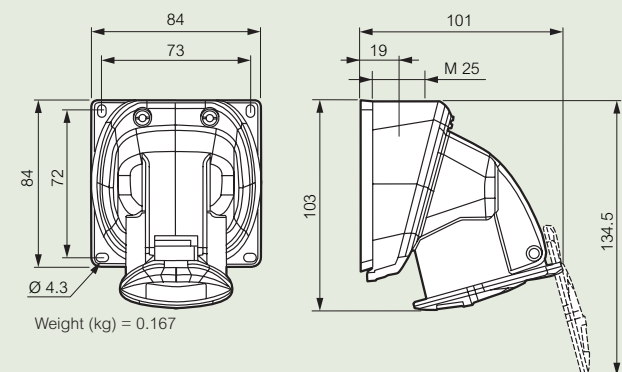
■ Characteristics

Terminal connection:
 Max. 1 x 10 mm² (rigid for fixed products flexible for mobile products)
 IP 44 according to IEC 60529 and EN 60529
 IK 09 according to IEC 62262 and EN 62262
 Material: plastic
 Self-extinguishing: 850 °C (support of active parts) / 650 °C (plastic housing)
 Temp. rating: - 25 °C to + 40 °C
 Conform to IEC 60309-1 / IEC 60309-2 and EN 60309-1 / EN 60309-2

■ Dimensions

Surface mounting sockets (p. 386)

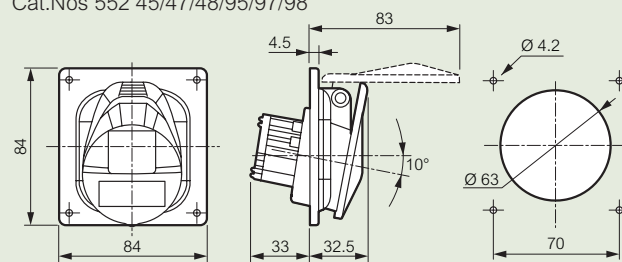
Cat.Nos 552 06/08/09/56/58/59



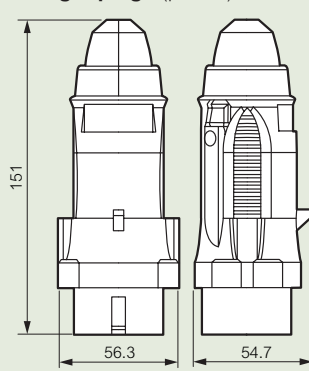
Weight (kg) = 0.167

Panel mounting sockets (p. 386)

Cat.Nos 552 45/47/48/95/97/98

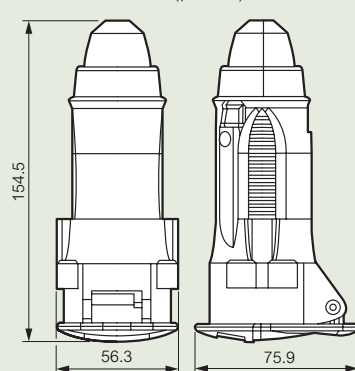


Straight plugs (p. 386)



Weight (kg) = 0.132

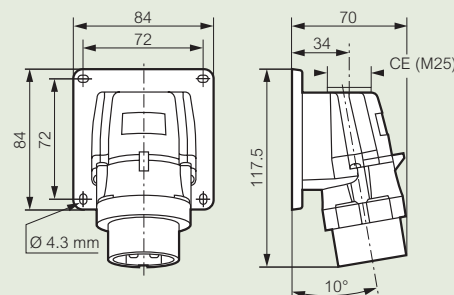
Mobile sockets (p. 386)



Weight (kg) = 0.16

Appliance inlets (p. 386)

Cat.Nos 552 41/43/44 and 552 91/93/94



P 17 Tempra IP 66/67 - LV 16 and 32 A

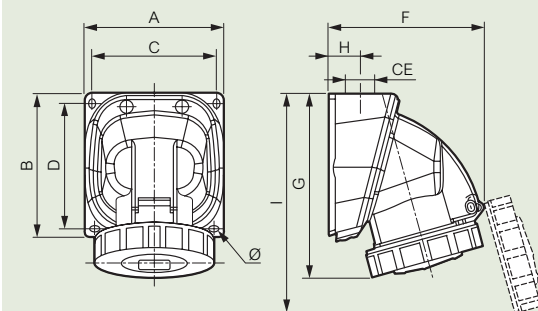
■ Characteristics

Terminal connection:
 • Panel and surface mounting sockets
 16 A: max. 1 x 4 mm² rigid - 32 A: max. 1 x 10 mm² rigid
 • Plugs, mobile sockets:
 16 A: max. 1 x 2,5 mm² flexible - 32 A: max. 1 x 6 mm² flexible
 • Appliance inlets:
 16 A: max. 1 x 2,5 mm² rigid - 32 A: max. 1 x 6 mm² rigid
 IP 66/67 according to IEC 60529 and EN 60529
 IK 09 according to IEC 62262 and EN 62262
 Material: plastic
 Self-extinguishing: 850 °C (support of active parts) / 650 °C (plastic housing)
 Temp. rating: - 25 °C to + 40 °C
 Conform to IEC 60309-1 and IEC 60309-2

■ Dimensions

Surface mounting sockets (p. 387)

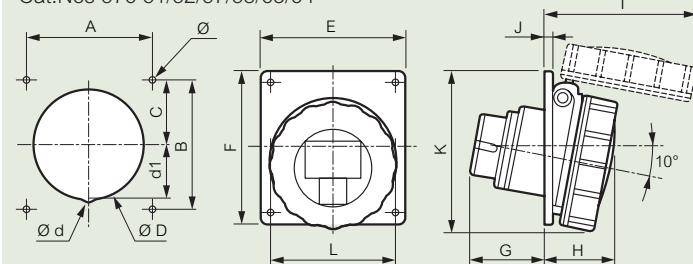
Cat.Nos 553 03/07/08/23/27/28



	Weight (kg)	A	B	C	D	F	G	H	I	CE	Ø
LV 16 A											
2P+±	0.230	84	84	73	72	94	112	20	130	M 20	4.3
3P+±	0.289	100	100	88	87	108	128	24	154	M 20	4.3
3P+N+±	0.317	100	100	88	87	110	129	24	157	M 20	4.3
LV 32 A											
2P+±	0.425	110	110	98	97	126	146	30	175	M 25	5.3
3P+±	0.467	110	110	98	97	136	170.5	30	205	M 25	5.3

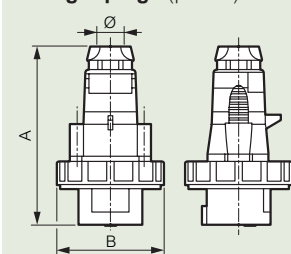
Panel mounting sockets (p. 387)

Cat.Nos 576 51/52/57/58/63/64



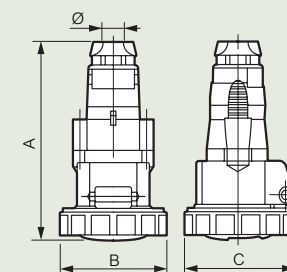
	Weight (kg)	Dimensions (mm)														
		A	B	C	ØD	Ød	d1	E	F	G	H	I	J	K	L	Ø
LV 16 A																
2P+±	0.140	70	70	35	76.2	-	-	84	84	42	39	83	4.5	90	72.5	4.2
3P+±	0.165	70	70	35	76.2	-	-	84	84	43	41	98	4.5	93	81	4.2
3P+N+±	0.195	70	70	35	76.2	-	-	84	84	43	41	99	4.5	91	86.5	4.2
LV 32 A																
2P+±/3P+±	0.240	70	70	35	76.2	-	-	84	94	54	50	113	4.5	101	94.5	4.2
3P+N+±	0.270	70	70	35	76.2	8	36	84	94	54	51	120	4.5	103	101	4.2

Straight plugs (p. 387)



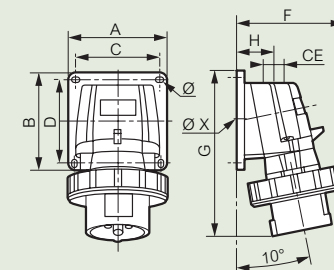
	Weight (kg)	A	B	Ø
LV 16 A				
2P+±	0.165	122	72.5	8 to 14
3P+±	0.175	126	81	8 to 14
3P+N+±	0.218	142	86.5	10 to 17.5
LV 32 A				
2P+±	0.255	152	94.5	10 to 17.5
3P+±	0.276	152	94.5	12 to 21.5
3P+N+±	0.325	158	101	12 to 21.5

Mobile sockets (p. 387)



	Weight (kg)	A	B	C	Ø
LV 16 A					
2P+±	0.180	139	72.5	78.5	8 to 14
3P+±	0.215	144	81	89.5	8 to 14
3P+N+±	0.275	160	86.5	92	10 to 17.5
LV 32 A					
2P+±	0.320	171	94.5	103	10 to 17.5
3P+±	0.320	171	94.5	103	12 to 21.5
3P+N+±	0.387	177	101	109	12 to 21.5

Appliance inlets (p. 387)



	Weight (kg)	A/B	C/D	F	G	H	CE	Ø
LV 16 A								
2P+±	0.188	84	72	87	126	34	M 20	4.3
3P+±	0.257	84	72	95	134	34	M 20	4.3
3P+N+±	0.297	84	72	100	141	34	M 20	4.3
LV 32 A								
2P+±	0.370	110	98	107	168	39	M 25	5.3
3P+±	0.413	110	98	113	168	39	M 25	5.3

P 17 Tempra IP 66/67 - LV 63 and 125 A

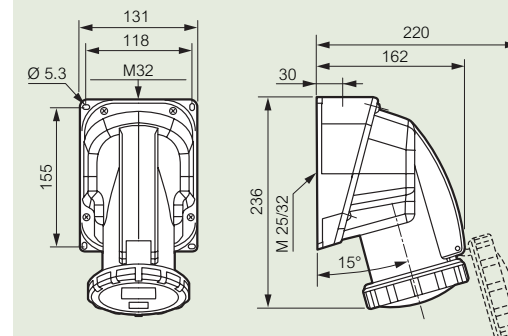
■ Characteristics

Terminal connection:
 • Panel and surface mounting sockets
 63 A: max. 1 x 25 mm² rigid - 125 A: max. 1 x 70 mm² rigid
 • Appliance inlets:
 63 A: max. 1 x 16 mm² rigid - 125 A: max. 1 x 50 mm² rigid
 • Plugs and mobile sockets:
 63 A: max. 1 x 16 mm² flexible - 125 A: max. 1 x 50 mm² flexible
 IP 66/67 according to IEC 60529 and EN 60529
 IK 09 according to IEC 62262 and EN 62262
 Material: plastic
 Self-extinguishing: 850 °C (support of active parts) / 650 °C (plastic housing)
 Temp. rating: - 25 °C to + 40 °C. Conform to IEC 60309-1 and IEC 60309-2

■ Dimensions for 63 A

Surface mounting sockets (p. 387)

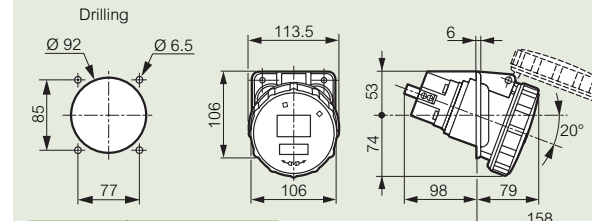
Cat.Nos 587 40/44/45



	Weight (kg)
3P+±	0.90
3P+N+±	0.95

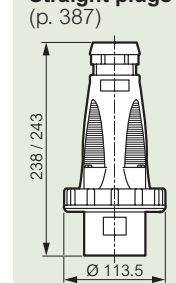
Panel mounting sockets (inclined outlet) (p. 387)

Cat.Nos 587 20/24/25

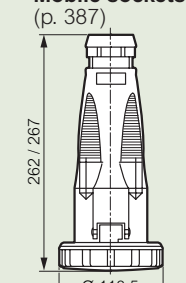


	Weight (kg)
3P+±	0.71
3P+N+±	0.77

Straight plugs (p. 387)



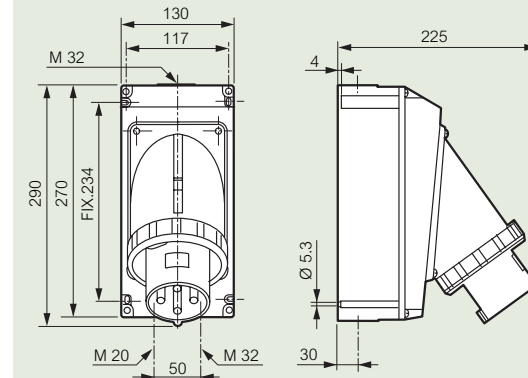
Mobile sockets (p. 387)



	Ø	Weight (kg)	
		Straight plugs	Mobile sockets
3P+±	19.3 to 28.5	0.57	0.78
3P+N+±	21.3 to 31.3	0.64	0.85

Appliance inlets (p. 387)

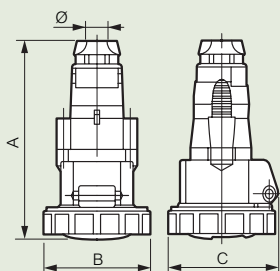
Cat.Nos 587 30/34/35



	Weight (kg)
3P+±	1.54
3P+N+±	1.61

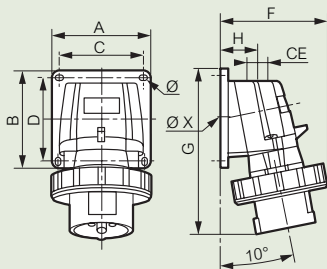
P 17 Tempra IP 66/67 - LV 63 and 125 A

Mobile sockets (p. 387)



	Weight (kg)	A	B	C	Ø
LV 16 A					
2P+⊥	0.180	139	72.5	78.5	8 to 14
3P+⊥	0.215	144	81	89.5	8 to 14
3P+N+⊥	0.275	160	86.5	92	10 to 17.5
LV 32 A					
2P+⊥	0.320	171	94.5	103	10 to 17.5
3P+⊥	0.320	171	94.5	103	12 to 21.5
3P+N+⊥	0.387	177	101	109	12 to 21.5

Appliance inlets (p. 387)



	Weight (kg)	A/B	C/D	F	G	H	CE	Ø
LV 16 A								
2P+⊥	0.188	84	72	87	126	34	M 20	4.3
3P+⊥	0.257	84	72	95	134	34	M 20	4.3
3P+N+⊥	0.297	84	72	100	141	34	M 20	4.3
LV 32 A								
2P+⊥	0.370	110	98	107	168	39	M 25	5.3
3P+⊥								
3P+N+⊥	0.413	110	98	113	168	39	M 25	5.3

■ Characteristics

Terminal connection:

- Panel and surface mounting sockets
- 63 A: max. 1 x 25 mm² rigid - 125 A: max. 1 x 70 mm² rigid
- Appliance inlets:
- 63 A: max. 1 x 16 mm² rigid - 125 A: max. 1 x 50 mm² rigid

- Plugs and mobile sockets:
- 63 A: max. 1 x 16 mm² flexible - 125 A: max. 1 x 50 mm² flexible

IP 66/67 according to IEC 60529 and EN 60529

IK 09 according to IEC 62262 and EN 62262

Material: plastic

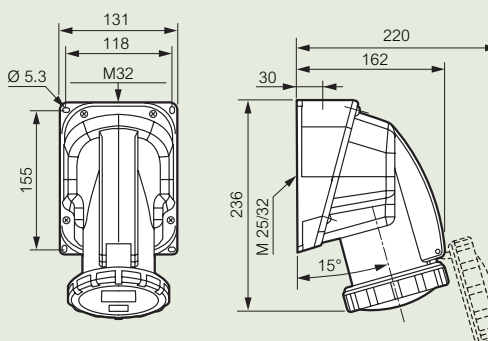
Self-extinguishing: 850 °C (support of active parts) / 650 °C (plastic housing)

Temp. rating: - 25 °C to + 40 °C. Conform to IEC 60309-1 and IEC 60309-2

■ Dimensions for 63 A

Surface mounting sockets (p. 387)

Cat.Nos 587 40/44/45

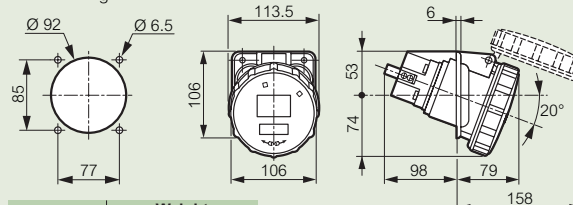


	Weight (kg)
3P+⊥	0.90
3P+N+⊥	0.95

Panel mounting sockets (inclined outlet) (p. 387)

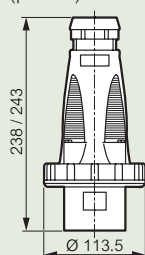
Cat.Nos 587 20/24/25

Drilling

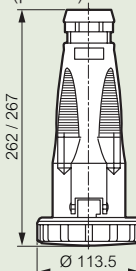


	Weight (kg)
3P+⊥	0.71
3P+N+⊥	0.77

Straight plugs (p. 387)



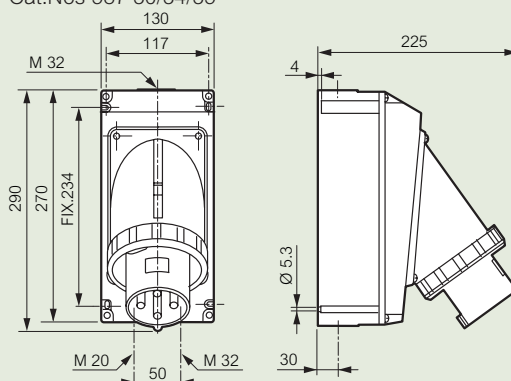
Mobile sockets (p. 387)



	Ø	Weight (kg)	
		Straight plugs	Mobile sockets
3P+⊥	19.3 to 28.5	0.57	0.78
3P+N+⊥	21.3 to 31.3	0.64	0.85

Appliance inlets (p. 387)

Cat.Nos 587 30/34/35



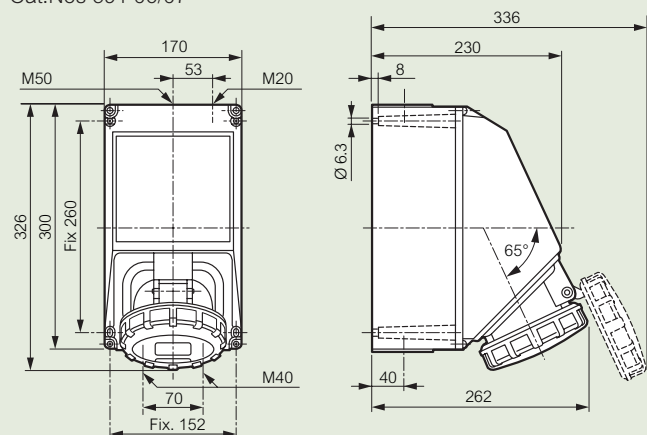
	Weight (kg)
3P+⊥	1.54
3P+N+⊥	1.61

P 17 Tempra IP 66/67 - LV 63 and 125 A (continued)

■ Dimensions for 125 A

Surface mounting sockets (p. 387)

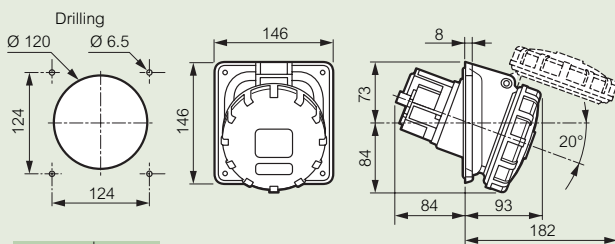
Cat.Nos 591 06/07



	Weight (kg)
3P+⊥	2.6
3P+N+⊥	2.73

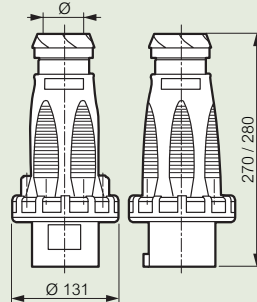
Panel mounting sockets (p. 387)

Cat.Nos 591 16/17



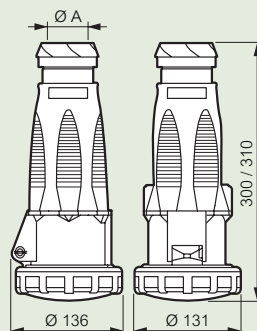
	Weight (kg)
3P+⊥	1
3P+N+⊥	1.2

Straight plugs (p. 387)



	Weight (kg)	Ø
3P+⊥	1.1	26 to 43
3P+N+⊥	1.22	28.5 to 50

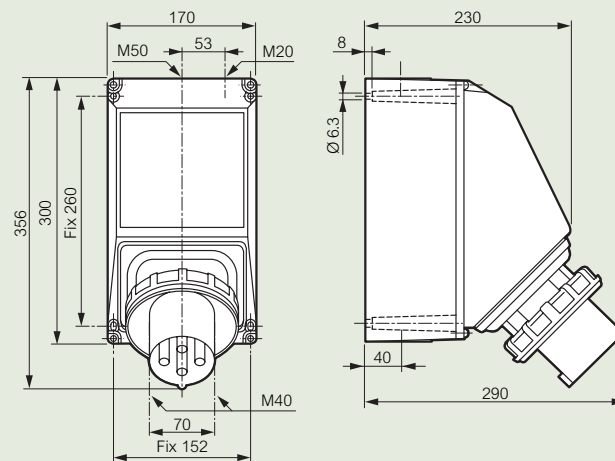
Mobile sockets (p. 387)



	Weight (kg)	Ø A
3P+⊥	1.4	26 to 43
3P+N+⊥	1.53	28.5 to 50

Appliance inlets (p. 387)

Cat.Nos 591 46/47



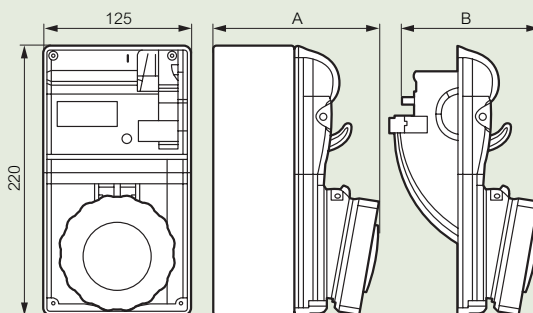
P 17 Tempra combined unit LV 16 to 63 A interlocked switched sockets

16-32 A			without rail		with empty Din rail	
<ul style="list-style-type: none"> • IP 44, IP 55, IP 66 according to IEC 60529 and EN 60529 • IK 08 according to IEC 62262 • Conform to IEC 60439-1 • Supplied without cable glands • Self-extinguishing: 650 °C 			125 x 220 mm		125 x 280 mm	
			IP 44	IP 55	IP 44	IP 66
			Pack	Cat.Nos	Pack	Cat.Nos
200 to 250 V~	16 A	2P+⊥	1	566 01	1	566 21
50/60 Hz	32 A	2P+⊥	1	566 09	1	566 29
380 to 415 V~	16 A	3P+⊥	1	566 05	1	566 25
		3P+N+⊥	1	566 06	1	566 26
50/60 Hz	32 A	3P+⊥	1	566 13	1	566 33
		3P+N+⊥	1	566 14	1	566 34
63 A			without rail		with empty Din rail	
<ul style="list-style-type: none"> • IP 66 according to IEC 60529 and EN 60529 • IK 08 according to IEC 62262 • Conform to IEC 60439-1 • Supplied without cable glands • Self-extinguishing: 650 °C 			IP 66		IP 66	
					Pack	Cat.Nos
380 to 415 V~	63 A	3P+⊥	1	572 98	1	589 18
50/60 Hz		3P+N+⊥	1	589 10	1	572 99

P 17 Tempra combined units LV 16 to 63 A interlocked switched sockets

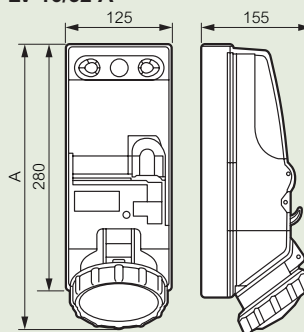
■ Dimensions

Without rail
LV 16/32 A



		IP 44	Dimensions (mm)		IP 55	Dimensions (mm)	
		Cat.Nos	A	B	Cat.Nos	A	B
LV 16 A	2P+⊥	566 01	127	122	566 21	133	128
	3P+⊥	566 05	129	124	566 25	134	129
	3P+N+⊥	566 06	130	125	566 26	135	130
LV 32 A	2P+⊥	566 09	138	133	566 29	143	138
	3P+⊥	566 13	138	133	566 33	143	138
	3P+N+⊥	566 14	139	134	566 34	144	139

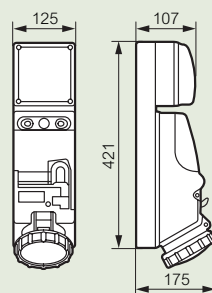
With empty Din rail
LV 16/32 A



		A	
		IP 44	IP 66
LV 16 A		290	300
LV 32 A		295	310

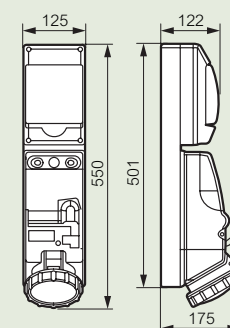
LV 63 A

Cat.Nos 572 98 and 589 10



LV 63 A

Cat.Nos 589 18 and 572 99



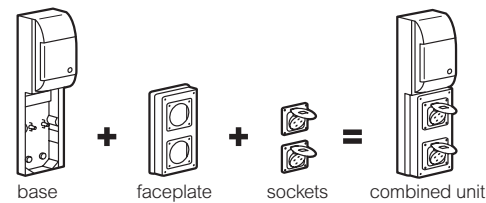
110 V~ on request

P17 Tempra combined units - LV 16 to 63 A to be composed

- IK 08 according to IEC 62262
- Self-extinguishing: 650 °C
- Max. IP 66

Technical characteristics (p. 396)

Example of combined unit configuration



**For P17 Tempra IP 44 sockets
100/130 V~ and 480/500 V~**

see p. 385

COMBINED UNITS HEIGHT 220 MM TO 441 MM

BASES FOR 220 x 125 MM FACEPLATES

Surface mounting box	Base up to 2 sockets 16 A	Base up to 3 sockets 16 A	Base up to 6 sockets 16 A
220 x 125 mm ⁽⁴⁾	371 x 125 mm ⁽⁴⁾ Rail 5 Lexic modules	441 x 265 mm ⁽⁴⁾ Rail 12 Lexic modules	441 x 405 mm ⁽⁴⁾ Rail 18 Lexic modules
Pack	Pack	Pack	Pack
Cat.No	Cat.No	Cat.No	Cat.No
2	1	1	1
577 10	589 38	577 05	577 06

220 X 125 MM FACEPLATES

1 for socket 16 or 32 A	2 for sockets 16 A	1 for socket 63 A	Plain plate
Pack	Pack	Pack	Pack
Cat.No	Cat.No	Cat.No	Cat.No
5	5	2	5
577 12	577 13 ⁽¹⁾	577 17	577 15

EXAMPLE OF SOCKETS

ELV (p. 386)		IP 44		
20/25 V~	16 A	2P	552 45	
	32 A	2P	552 95	
40/50 V~	16 A	2P	552 47	
	32 A	2P	552 97	
(For 3P ELV sockets see p. 386)				
Domestic pin (p. 386)		IP 54 ⁽³⁾		
250 V	16 A	2P+⊥	576 72	
LV (p. 385)		IP 44		
200/250 V~	16 A	2P+⊥	576 11; 576 51	
	32 A	2P+⊥	576 12; 576 52	
380/415 V~	16 A	3P+⊥	576 17; 576 57	
		3P+N+⊥	576 23; 576 63	
	32 A	3P+⊥	576 18; 576 58	
		3P+N+⊥	576 24; 576 64	

Possible combinations with bases for 220 x 125 mm faceplates

Cat.No	Nb of sockets	Intensity			Number of faceplates		
		16 A	16 A or 32 A	63 A	577 12	577 13	577 17
With box or base							
577 10 or 589 38	1 socket	-	1	-	1	-	-
	2 sockets	2	-	-	-	1	-
577 05	2 sockets	-	2	-	2	-	-
	3 sockets	-	1	1	1	-	1
		-	-	2	-	-	2
		2	1	-	1	1	-
4 sockets	4	-	-	-	2	-	
577 06	3 sockets	-	3	-	3	-	-
	4 sockets	-	1	2	1	-	2
		2	1	1	1	1	1
	5 sockets	2	2	-	2	1	-
		2	-	2	-	1	2
	6 sockets	4	1	-	1	2	-
6 sockets	4	-	1	-	2	1	

COMBINED UNITS HEIGHT 280 MM TO 501 MM

BASES FOR 280 x 125 MM FACEPLATES

Surface mounting box	Base up to 3 sockets 16 A	Base up to 6 sockets 16 A	Base up to 9 sockets 16 A
280 x 125 mm ⁽⁴⁾	421 x 125 mm ⁽⁴⁾ Rail 5 Lexic modules	501 x 265 mm ⁽⁴⁾ Rail 12 Lexic modules	501 x 405 mm ⁽⁴⁾ Rail 18 Lexic modules
Pack	Pack	Pack	Pack
Cat.No	Cat.No	Cat.No	Cat.No
3	1	1	1
577 11	577 20	577 03	577 04

280 x 125 MM FACEPLATE

2 sockets 16 or 32 A	1 socket 16 or 32 A and 1 socket 63 A	3 for socket 16 A ⁽³⁾	Plain plate
Pack	Pack	Pack	Pack
Cat.No	Cat.No	Cat.No	Cat.No
4	2	4	4
577 18 ⁽¹⁾	577 19 ⁽¹⁾	577 14 ⁽¹⁾	577 16

EXAMPLE OF SOCKETS

ELV (p. 386)		IP 44		
20/25 V~	16 A	2P	552 45	
	32 A	2P	552 95	
40/50 V~	16 A	2P	552 47	
	32 A	2P	552 97	
(For 3P ELV sockets see p. 386)				
Domestic pin (p. 386)		IP 54 ⁽³⁾		
250 V	16 A	2P+⊥	576 72	
LV (p. 385)		IP 44		
200/250 V~	16 A	2P+⊥	576 11; 576 51	
	32 A	2P+⊥	576 12; 576 52	
380/415 V~	16 A	3P+⊥	576 17; 576 57	
		3P+N+⊥	576 23; 576 63	
	32 A	3P+⊥	576 18; 576 58	
		3P+N+⊥	576 24; 576 64	

Possible combinations with bases for 280 x 125 mm faceplates

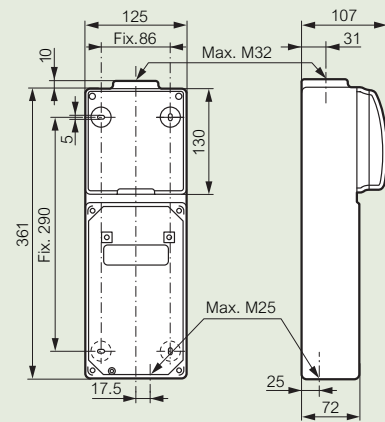
Cat.No	Nb of sockets	Intensity			Number of faceplates		
		16 A	16 A or 32 A	63 A	577 18	577 19	577 14
With box or base							
577 11 or 577 20	2 sockets	-	2	-	1	-	-
	3 sockets	3	-	-	-	-	1
577 03	4 sockets	-	4	-	2	-	-
	5 sockets	-	2	2	-	2	-
		-	3	1	1	1	-
		3	1	1	-	1	1
6 sockets	3	2	-	1	-	1	
	6	-	-	-	-	2	
577 04	6 sockets	-	6	-	3	-	-
	7 sockets	-	3	3	-	3	-
		-	5	1	2	1	-
	8 sockets	-	4	2	1	2	-
		3	2	2	-	2	1
	9 sockets	3	3	1	1	1	1
6		1	1	-	1	2	
6	2	-	-	1	-	2	
9	-	-	-	-	-	3	

(1) Supplied with blanking plate (2) To be fixed horizontally except 16 A domestic pin sockets, vertically (IP 44 - connected)
(3) IP 54 cover closed - IP 44 connected (4) External dimensions: H x W

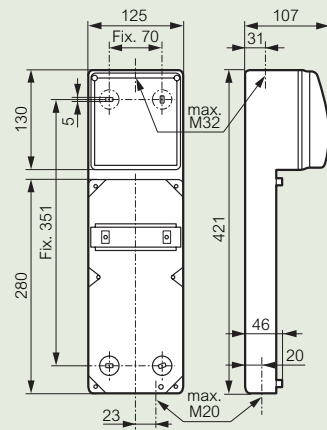
P 17 Tempra combined units
to be composed

■ **Dimensions**

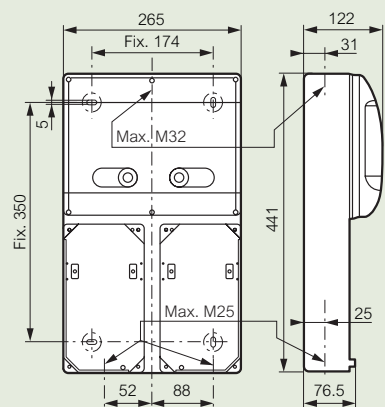
Bases (p. 394)
Cat.No 589 38



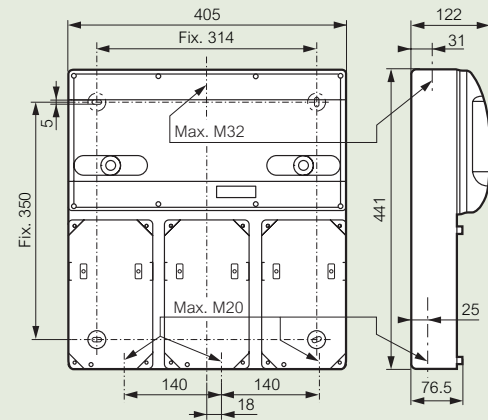
Cat.No 577 20



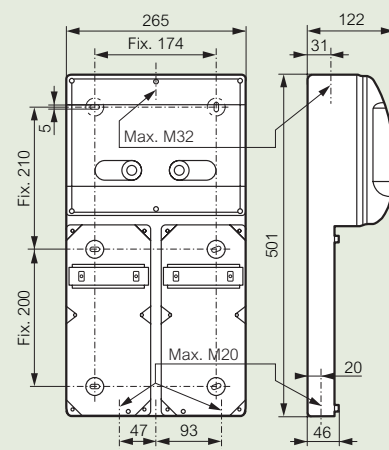
Cat.No 577 05



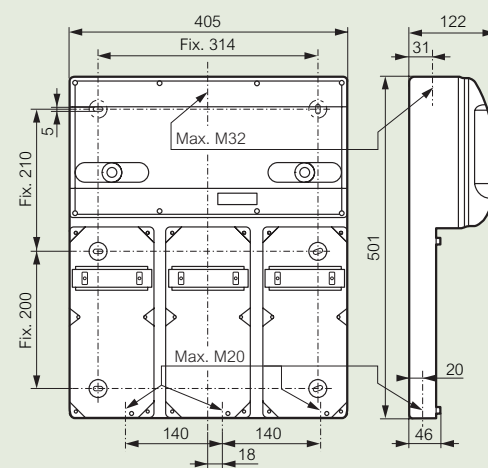
Cat.No 577 06



Cat.No 577 03

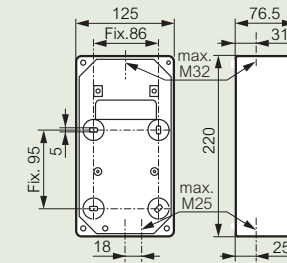


Cat.No 577 04

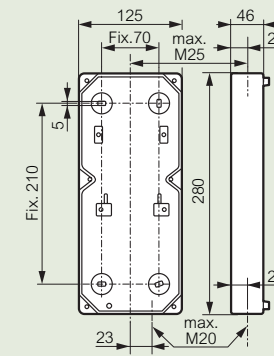


Surface mounting boxes (p. 394)

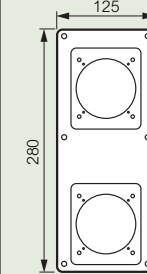
Cat.No 577 10



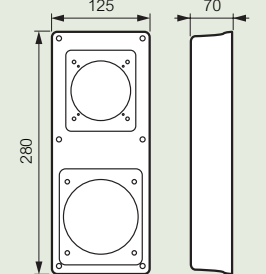
Cat.No 577 11



Cat.No 577 18

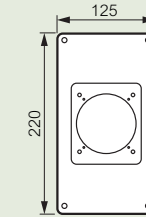


Cat.No 577 19

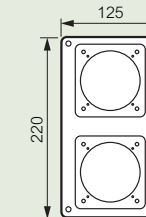


Faceplates (p. 394)

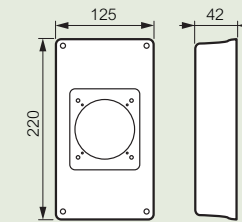
Cat.No 577 12



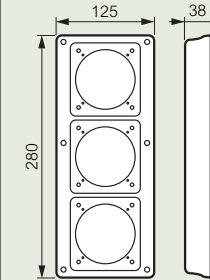
Cat.No 577 13



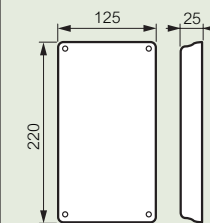
Cat.No 577 17



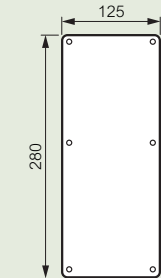
Cat.No 577 14



Cat.No 577 15



Cat.No 577 16



Hypra[®] IP 44 sockets and plugs metal, plastic, rubber, IP 44/55 Prinsinter


LV 16 to 63 A, ELV 16 and 32 A

Conform to IEC 60309-1 and IEC 60309-2
 IP 44 according to IEC 60529
 IK 09: plastic and rubber
 IK 10: metal according to IEC 62262
 Self-extinguishing:
 - 850°C (support of active parts) / 960°C for Prinsinter)
 - 650°C: plastic housing conform to IEC 60695-2-10
 - 50°C to + 100°C
 (- 20°C for Prinsinter)

 Dimensions (p. 401 to 407)



LV	Panel mounting sockets		Surface mounting sockets		metal	plastic	with single fixing centres plastic	Surface mounting sockets		Through wiring surface sockets		Straight plugs			Angled plugs			Mobile sockets		Panel appliance inlets		Surface appliance inlets			
	metal	plastic	metal	plastic				metal	plastic	metal	plastic	metal	plastic	rubber	metal	plastic	rubber	plastic	rubber	metal	plastic	metal	plastic		
100 to 130 V_~ 50/60 Hz	16 A	2P + ⊕		519 10					519 20	519 19									519 80			519 70		519 70 + 520 79	
200 to 250 V_~ 50/60 Hz	16 A	2P + ⊕	520 12	520 02	520 12 + 520 59	520 02 + 520 49	520 32	520 22 ⁽¹⁾	520 18 ⁽¹⁾	520 32 + 520 39	520 22 ⁽¹⁾ + 520 29 ⁽¹⁾	520 32 + 520 99	520 22 ⁽¹⁾ + 520 89	521 42	520 42 ⁽¹⁾	520 52 ⁽¹⁾	520 72	520 62 ⁽¹⁾	521 52	520 82 ⁽¹⁾	520 92	521 62	521 72	521 62 + 520 69 + 520 79	
	32 A	2P + ⊕		527 02		527 02 + 529 49	527 32		527 18	527 32 + 529 39	527 18 + 529 40	527 32 + 529 99	527 18 + 529 90		527 42	527 52	527 72	527 62		527 82	527 92	528 62	528 72	528 62 + 529 69 + 529 79	
380 to 415 V_~ 50/60 Hz	16 A	3P + ⊕	522 13	522 03	522 13 + 520 59	522 03 + 520 49	522 33	522 23 ⁽¹⁾	522 19 ⁽¹⁾	522 33 + 522 39 ⁽¹⁾	522 23 ⁽¹⁾ + 522 29 ⁽¹⁾	522 33 + 522 99	522 23 ⁽¹⁾ + 522 89	521 43	522 43 ⁽¹⁾	522 53 ⁽¹⁾	522 73	522 63 ⁽¹⁾	521 53 ⁽¹⁾	522 83 ⁽¹⁾	522 93 ⁽¹⁾	521 63	521 73	521 63 + 522 69 + 522 79	
		3P + N + ⊕	522 14	522 04	522 14 + 529 59	522 04 + 522 49	522 34	522 24 ⁽¹⁾	522 20	522 34 + 522 39 ⁽¹⁾	522 24 ⁽¹⁾ + 522 29 ⁽¹⁾	522 34 + 522 99	522 24 ⁽¹⁾ + 522 89	521 44	522 44 ⁽¹⁾	522 54	522 74	522 64	521 54	522 84	522 94	521 64	521 74	521 64 + 522 69 + 522 79	
	32 A	3P + ⊕	529 13	529 03	529 13 + 522 59	529 03 + 529 49	529 33		529 19	529 33 + 529 39	529 19 + 529 40	529 33 + 529 99	529 19 + 529 90	528 43	529 43 ⁽¹⁾	529 53 ⁽¹⁾	529 73	529 63	528 53	529 83	529 93 ⁽¹⁾	528 63	528 73	528 63 + 529 69 + 529 79	
		3P + N + ⊕	529 14	529 04	529 14 + 522 59	529 04 + 529 49	529 34		529 20	529 34 + 529 39	529 20 + 529 40	529 34 + 529 99	529 20 + 529 90	528 44	529 44 ⁽¹⁾	529 54	529 74	529 64	528 54	529 84	529 94	528 64	528 74	528 64 + 529 69 + 529 79	
	63 A	3P + ⊕	538 00	536 03	538 00 + 538 09	536 03 + 537 49	538 33	538 23		537 33	537 23	538 33 + 538 99	538 23 + 538 89		538 43	538 53	538 73		538 63	538 83	538 93	537 63	537 73	537 63 + 538 69 + 538 79	
3P + N + ⊕		538 01	536 04	538 01 + 538 09	536 04 + 537 49	538 34	538 24		537 34	537 24	538 34 + 538 99	538 24 + 538 89		538 44	538 54	538 74		538 64	538 84	538 94	537 64	537 74	537 64 + 538 69 + 538 79		
480 to 500 V_~ 50/60 Hz	16 A	3P + ⊕					523 20	523 19			523 20 + 522 29 ⁽¹⁾	523 20 + 522 89		523 21						523 22					
	32 A	3P + ⊕						523 59			523 59 + 529 40	523 59 + 529 90		523 61						523 62					
ELV			metal	plastic	metal	plastic	metal	plastic	plastic	metal	plastic	metal	plastic	metal	plastic	rubber	metal	plastic	rubber	rubber	plastic	metal	plastic	metal	plastic
20 to 25 V_~ 50/60 Hz	16 A	2P						524 01 ⁽¹⁾			524 01 ⁽¹⁾ + 524 19 ⁽¹⁾				524 21 ⁽¹⁾				524 41 ⁽¹⁾	524 81	524 61				
	32 A	2P						525 01			525 01 + 524 19 ⁽¹⁾				525 21				525 41	525 81	525 61				



Special voltages and frequencies available on request

Please consult us

Pack = 1 except (1) pack = 5.
 (2) Dust resistance IP may be increased by rubber push-button (on request) - IP 55 cover closed or connected - IP 44 connected

Hypra[®] IP 66/67-55 - plastic sockets and plugs

LV 16 and 32 A

Conform to IEC 60309-1 and IEC 60309-2
IP according to IEC 60529
IK 09: Plastic
Self-extinguishing: 850°C (support of active parts) / 650°C (plastic housing)

Dimensions (p. 402 to 407)

LV			Panel mounting sockets		Surface mounting sockets	Through wiring surface sockets	Straight plugs	Angled plugs ⁽²⁾	Mobile sockets	Surface appliance inlets
			inclined outlets	with single fixing centres						
200 to 250 V \sim 50 / 60 Hz	16 A	2P+ \perp	511 26 ⁽¹⁾	511 46	511 26 + 520 29 ⁽¹⁾	511 26 + 520 89	511 56 ⁽¹⁾	511 06	511 76	511 86
	32 A	2P+ \perp		530 46	530 46 + 529 40	530 46 + 529 90	530 56	530 06	530 76	530 86
380 to 415 V \sim 50 / 60 Hz	16 A	3P+ \perp	511 30	511 50	511 30 + 522 29 ⁽¹⁾	511 30 + 522 89	511 60 ⁽¹⁾	511 10	511 80	511 90
		3P+N+ \perp	511 31	511 51	511 31 + 522 29 ⁽¹⁾	511 31 + 522 89	511 61 ⁽¹⁾	511 11	511 81	511 91
	32 A	3P+ \perp		530 50	530 50 + 529 40	530 50 + 529 90	530 60	530 10	530 80	530 90
		3P+N+ \perp		530 51	530 51 + 529 40	530 51 + 529 90	530 61	530 11	530 81	530 91

Pack = 1 except (1) pack = 5

Hypra[®] IP 66/67 - plastic sockets and plugs

LV 63 and 125 A

Conform to IEC 60309-1 and IEC 60309-2
IP according to IEC 60529
IK 09: Plastic
Self-extinguishing: 850°C (support of active parts) / 650°C (plastic housing)

Dimensions (p. 402 to 407)

LV			Socket with break isolating switch	Panel mounting sockets	Surface mounting sockets	Through wiring surface sockets	Straight plugs	Mobile sockets	Panel appliance inlets
3P+N+ \perp		538 28	538 38	538 28 + 538 89	538 48	538 88	537 78		
125 A	3P+ \perp	591 04	591 12	591 02		591 22	591 32	591 42	
	3P+N+ \perp	591 05	591 13	591 03		591 23	591 33	591 43	

Pack = 1



110 V \sim please consult us

Hypra[®] IP 44/55 Prisinter™

LV 16 to 125 A

■ Prisinter - panel mounting sockets - LV 16-32-63 A (p. 398)

Conform to IEC 60309-1 and IEC 60309-2

- 16-32 A • IP 44 connected
- IP 55 connected with an IP 66/67-55 Hypra angled plug
- 63 A • IP 44 connected
- IP 55 closed cover

Icc 10 kA according to IEC 60309-1

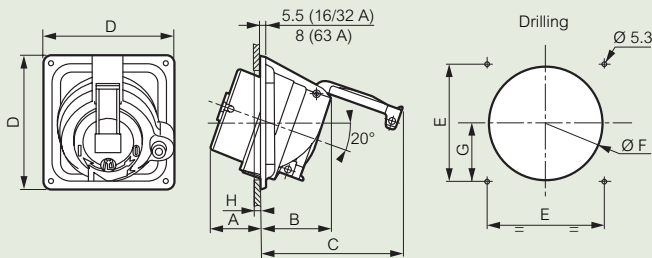
Screws in stainless steel

In case of extension, use a mobile Prisinter available on request

Dust resistance IP may be increased by rubber push-button (on request)

Terminal connection (max.):

- 16 A: 1 x 6 mm² or 2 x 2.5 mm² rigid
- 32 A: 1 x 16 mm² or 2 x 6 mm² rigid
- 63 A: 1 x 25 mm² rigid



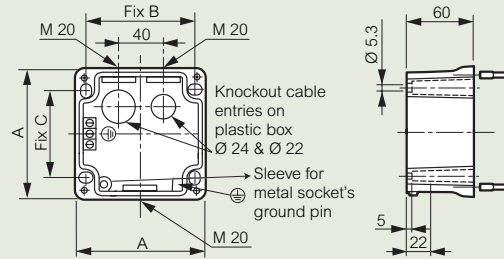
	Material	Weight (kg)	A	B	C	D	E	F min	F max	G	H max
16 A											
2P + ⊕	Plastic	0.42	46	70	132	115	100	92	98	46	6 to 10
	Metal	1.25									
3P + ⊕	Plastic	0.48	46	70	138	115	100	92	96	46	6 to 10
	Metal	1.33									
3P + N + ⊕	Plastic	0.57	46	75	156	125	110	102	106	51.5	7
	Metal	1.47									
32 A											
2P + ⊕	Plastic	0.57	54	77	153	143	125	115	122	58.5	10 to 20
	Metal	1.47									
3P + ⊕	Plastic	0.61	54	77	153	143	125	115	122	58.5	10 to 20
	Metal	1.5									
3P + N + ⊕	Plastic	0.65	55	79	169	143	125	119	122	58.5	9 to 13
	Metal	1.8									
63 A											
2P + ⊕	Plastic	0.87	55	99	205	143	125	120	122	59.5	10 to 20
	Metal	1.5									
3P + ⊕	Plastic	0.95	55	99	205	143	125	120	122	59.5	10 to 20
	Metal	1.85									
3P + N + ⊕	Plastic	0.98	55	99	205	143	125	120	122	59.5	10 to 20
	Metal	2.2									

Breaking capacity 3 x 400 V_~ according to IEC 60947-1-3

Category	16 A	32 A	63 A	Category	125 A
AC 1	16 A	32 A	63 A	AC 22 AC 23	400 V 70 kW
AC 3	7.5 kW	15 kW	30 kW		500 V 87 kW
	15 A	28.5 A	57 A		
AC 23	7.5 kW	15 kW	30 kW	690 V 120 kW	
	15 A	28.5 A	57 A		

■ Reversible box for Prisinter sockets

LV 16 A (p. 398)

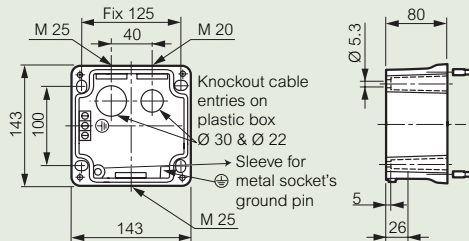


3 entries among which

2 entries M20 sealed with B20P blanking plug for auxiliary contact use
Fitted with 2 connected earth terminals and 1 outside terminal on metal box

	Material	Weight (kg)	A (mm)	B (mm)	C (mm)
2P + ⊕	Plastic	0.14	115	97	78
3P + ⊕	Metal	0.8			
3P + N + ⊕	Plastic	0.16	125	107	88
	Metal	0.9			

LV 32 A (p. 398)



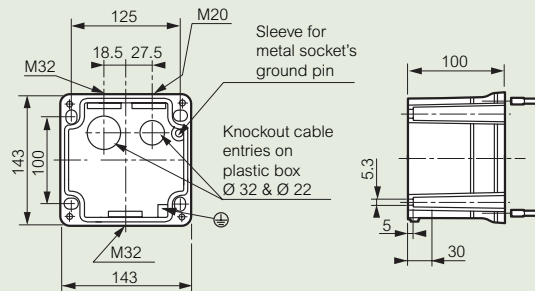
3 entries among which

- 1 M20 sealed with B20P blanking plug for auxiliary contact
- 1 M25 sealed with B25P blanking plug

Fitted with 2 connected earth terminals and 1 outside terminal on metal box.

Material	Weight (kg)
Plastic	0.3
Metal	0.07

LV 63 A (p. 398)



3 entries among which

- 1 M20 sealed with B20P blanking plug for auxiliary contact
- 1 M32 sealed with B32P blanking plug

Fitted with 1 outside earth terminal on metal box

Material	Weight (kg)
Plastic	0.35
Metal	1.75



Dust resistance IP can be increased by a rubber push-button

on special request

Hypra[®] IP 44, IP 66/67-55 and IP 66/67 panel mounting sockets

LV 16 to 125 A and ELV 16 and 32 A

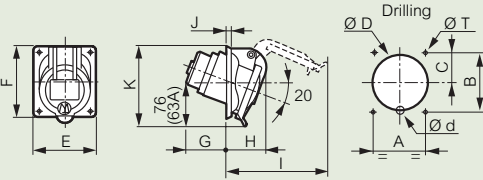
■ Dimensions

IP 44 - LV 16 to 63 A (p. 398) and ELV 16 and 32 A

External screws in stainless steel - Nickel-plated contacts
Enable realization of surface mounting sockets, associated with reversible box

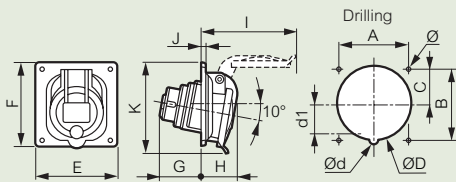
Terminal connection (max.):

- LV 16 A: 1 x 4 mm² rigid
- LV 32 A: 1 x 10 mm² rigid
- LV 63 A: 1 x 25 mm² rigid
- ELV: 1 x 10 mm² rigid



	Material	Weight (kg)	Drilling			Dimensions									
			A	B	C	ØD	Ød	ØT	E	F	G	H	I	J	K
LV - 16 A															
2P + ⊕	Plastic	0.110	52	60	28	55	14.5	4.2	64	72	41	40	94	5.5	78.5
	Metal	0.340													
3P + ⊕	Plastic	0.140	60	70	31	63.5	14.5	5.2	74	84	44	40	98	5.5	88
	Metal	0.405													
3P + N + ⊕	Plastic	0.165	60	70	33	70.6	-	5.2	80	84	44	44	110	5.5	93
	Metal	0.450													
LV - 32 A															
2P + ⊕	Metal	0.605	70	80	38	76.2	10	5.2	84	94	50	53	120	5.5	103
3P + ⊕	Metal	0.605	70	80	38	76.2	10	5.2	84	94	50	53	120	5.5	103
3P + N + ⊕	Metal	0.660	70	80	38	76.2	10	5.2	84	94	52	56	124	5.5	107
LV - 63 A															
2P + ⊕	Plastic	0.600	77	85	-	92	-	6.5	106	106	98	70	160	6	129
	Metal	0.950													
3P + ⊕	Plastic	0.640	77	85	-	92	-	6.5	106	106	98	70	160	6	129
	Metal	1,000													
3P + N + ⊕	Plastic	0.700	77	85	-	92	-	6.5	106	106	98	70	160	6	129
	Metal	1,200													
ELV-16/32 A															
2P	Plastic	0.120	52	60	30	55	-	4.2	64	72	33	47	94	5.5	78.5

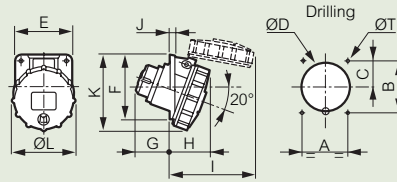
IP 44 - LV 16 and 32 A with single fixing centres (p. 398)



	Weight (kg)	A	B	C	ØD	Ød	d1	E	F	G	H	I	J	K	ØL
LV 16 A															
2P + ⊕	0.110	70	70	35	76.2	/	/	84	84	37	36	89	4.5	88	4.2
3P + ⊕	0.140	70	70	35	76.2	/	/	84	84	43	36	97	4.5	89	4.2
3P + N + ⊕	0.165	70	70	35	76.2	/	/	84	84	43	37	106	4.5	91	4.2
LV - 32 A															
2P + ⊕	0.220	70	70	35	76.2	-	-	84	94	54	45	117	4.5	100	4.2
3P + ⊕	0.220	70	70	35	76.2	-	-	84	94	54	45	117	4.5	100	4.2
3P + N + ⊕	0.255	70	70	35	76.2	8	36	84	94	54	46	125	4.5	102	4.2

IP 66/67-55 - LV 16 A (p. 400)

External screws in stainless steel - Nickel-plated contacts
Terminal connection (max.): 1 x 4 mm² rigid or flexible

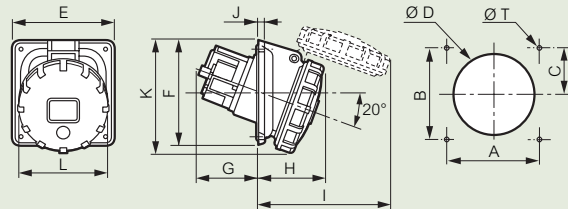


	Weight (kg)	Drilling			Dimensions										
		A	B	C	ØD	Ød	ØT	E	F	G	H	I	J	K	L
LV - 16 A															
2P + ⊕	0.140	52	60	33	55	-	4.2	64	72	40	45	91	5.5	87	72.5
3P + ⊕	0.165	60	70	39	63.5	-	5.2	74	84	41	48	102	5.5	96	81
3P + N + ⊕	0.195	60	70	37	70.6	-	5.2	80	84	42	50	106	5.5	96	86.5

IP 66/67 - LV 63 and 125 A (p. 400)

Terminal connection (max.):

- 63 A: 1 x 25 mm² rigid
- 125 A: 1 x 70 mm² rigid

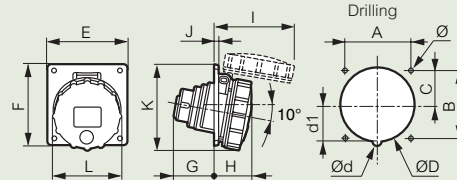


	Weight (kg)	Drilling			Dimensions										
		A	B	C	ØD	ØT	E	F	G	H	I	J	K	ØL	
LV - 63 A															
2P + ⊕	0.680	77	85	42.5	92	6.5	106	106	98	79	158	6	127	113.5	
3P + ⊕	0.710	77	85	42.5	92	6.5	106	106	98	79	158	6	127	113.5	
3P + N + ⊕	0.770	77	85	42.5	92	6.5	106	106	98	79	158	6	127	113.5	
LV - 125 A															
3P + ⊕	1.400	124	124	62	120	6.5	146	146	84	93	182	8	157	131	
3P + N + ⊕	1.550	124	124	62	120	6.5	146	146	84	93	182	8	157	131	

IP 66/67-55 - LV 16 and 32 A with single fixing centres (p. 400)

Terminal connection (max.):

- 16 A: 1 x 4 mm² rigid
- 32 A: 1 x 10 mm² rigid



	Weight (kg)	Drilling			Dimensions (mm)											
		A	B	C	ØD	Ød	d1	Ø	E	F	G	H	I	J	K	ØL
LV 16 A																
2P + ⊕	0.140	70	70	35	76.2	-	-	4.2	84	84	42	39	83	4.5	90	72.5
3P + ⊕	0.165	70	70	35	76.2	-	-	4.2	84	84	43	41	98	4.5	93	81
3P + N + ⊕	0.195	70	70	35	76.2	-	-	4.2	84	84	43	41	99	4.5	91	86.5
LV 32 A																
2P + ⊕	0.240	70	70	35	76.2	-	-	4.2	84	94	54	50	113	4.5	101	94.5
3P + ⊕	0.240	70	70	35	76.2	-	-	4.2	84	94	54	50	113	4.5	101	94.5
3P + N + ⊕	0.270	70	70	35	76.2	8	36	4.2	84	94	54	51	120	4.5	103	101



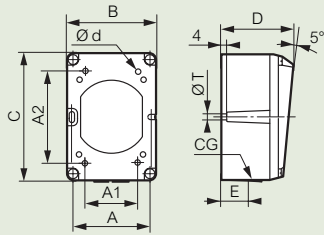
For more information, please consult e-catalogue www.legrandelectric.com

Hypra[®] IP 44, IP 66/67-55 surface mounting sockets reversible box

LV 16 to 63 A and ELV 16 and 32 A

■ Dimensions

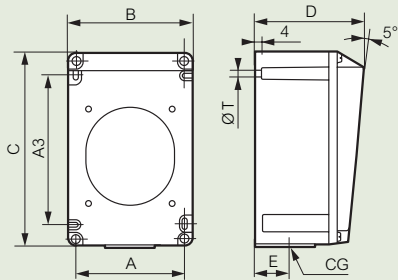
IP 44 ELV 16 and 32 A - IP 44, IP 66/67-55 - LV 16 A (p. 398, 400)



Fix A1 and A2:
Blind optional fixing points
Metal boxes fitted with
- 2 connected earth terminals and
1 outside terminal
- 1 sleeve for metal socket's ground pin

Surface mounting sockets → Panel mounting sockets ↓	Material	Weight (kg)	A1	A2	Drilling			Dimensions					CG cable gland
IP 44 - ELV 16/32 A													
2P	Plastic	0.115	51	68	4.2	64	5.3	74	106	58	20	M 25	
IP 44 and IP 66/67-55 - LV 16 A													
2P + ⊕	Plastic	0.115	51	68	4.2	64	5.3	74	106	58	20	M 20	
	Metal	0.400											
3P + ⊕	Plastic	0.160	68	68	4.2	85	5.3	96	122	60	22	M 20	
	Metal	0.520											
3P + N + ⊕	Plastic	0.160	68	68	4.2	85	5.3	96	122	60	22	M 20	
	Metal	0.520											

IP 44, IP 66/67-55 - LV 32 A (p. 398, 400)



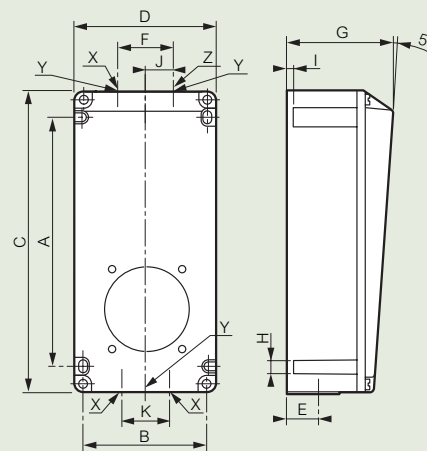
Blind optional fixing points
Metal boxes fitted with
- 2 connected earth terminals and
1 outside terminal
- 1 sleeve for metal socket's ground pin

Surface mounting sockets → Panel mounting sockets ↓	Material	Weight (kg)	A	A3	Drilling	øT	Dimensions				CG cable gland
IP 44 and IP 66/67-55 - LV 32 A											
2P + ⊕	Plastic	0.340	90	125	5.3	102	162	90	26		M 25
	Metal	0.910									
3P + ⊕	Plastic	0.340	90	125	5.3	102	162	90	26		M 25
	Metal	0.910									
3P + N + ⊕	Plastic	0.340	90	125	5.3	102	162	90	26		M 25
	Metal	0.910									

Hypra[®] IP 44, IP66/67-55 and IP 66/67 through wiring surface sockets

■ Dimensions

IP 44 - LV 16 to 63 A, IP 66/67-55 - LV 16 and 32 A, IP 66/67 - LV 63 A (p. 398, 400)



Plastic boxes fitted with 2 connected earth terminals
Metal boxes fitted with
- 2 connected earth terminals and
1 outside terminal
- 1 sleeve for metal socket's ground pin

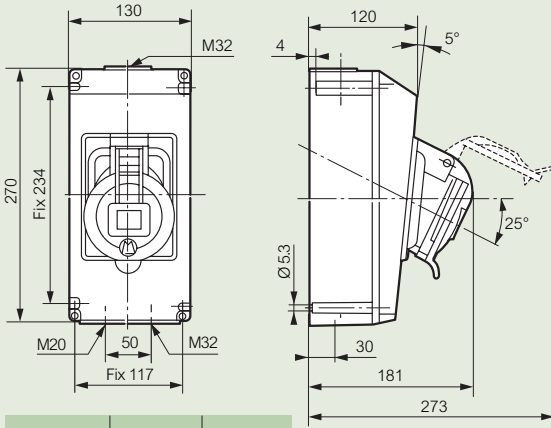
Surface mounting sockets → Panel mounting sockets ↓	Material	Weight (kg)	Drilling			Dimensions										
16 A																
2P + ⊕	Plastic	0.330	145	74	5.3	182	86	22	34	75	4	-	-	-	M20	
	Metal	0.830														
3P + ⊕	Plastic	0.440	175	88	5.3	212	100	22	40	77	4	-	-	-	M20	
	Metal	0.980														
3P + N + ⊕	Plastic	0.440	175	88	5.3	212	100	22	40	77	4	-	-	-	M20	
	Metal	0.980														
32 A																
2P + ⊕	Plastic	0.670	234	117	5.3	270	130	30	50	110	4	-	-	-	M25	
	Metal	1.730														
3P + ⊕	Plastic	0.670	234	117	5.3	270	130	30	50	110	4	-	-	-	M25	
	Metal	1.730														
3P + N + ⊕	Plastic	0.670	234	117	5.3	270	130	30	50	110	4	-	-	-	M25	
	Metal	1.730														
63 A																
2P + ⊕	Plastic	2.000	260	152	6.3	300	170	40	-	150	8	50	70	M32	-	M20
	Metal	4.300		157												
3P + ⊕	Plastic	2.000	260	152	6.3	300	170	40	-	150	8	50	70	M32	-	M20
	Metal	4.300		157												
3P + N + ⊕	Plastic	2.000	260	152	6.3	300	170	40	-	150	8	50	70	M32	-	M20
	Metal	4.300		157												

Hypra[®] IP 44 and IP 66/67 surface mounting sockets

External screws in stainless steel - Nickel-plated contacts

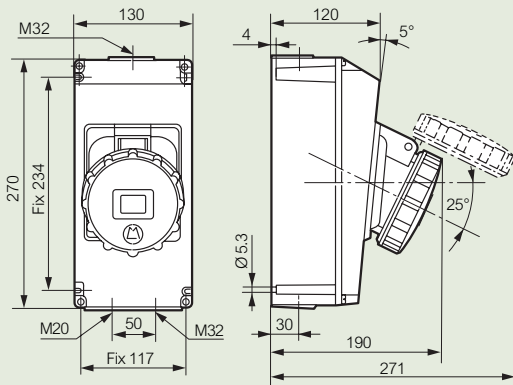
IP 44 - LV 63 A (p. 398)

Terminal connection: 1 x 25 mm² rigid max.



	Material	Weight (kg)
3 P + ⊕	Plastic	1.45
	Metal	4.95
3 P + N + ⊕	Plastic	1.5
	Metal	5

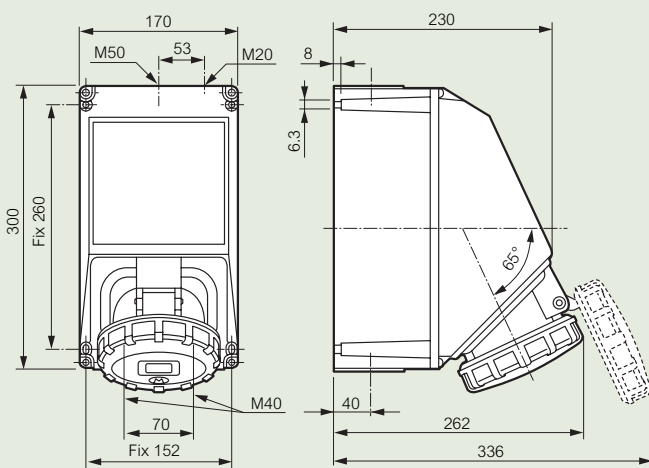
IP 66/67 - LV 63 A (p. 400)



	Weight (kg)
2P + ⊕	1.500
3 P + ⊕	1.550
3 P + N + ⊕	1.600

IP 66/67 - LV 125 A (p. 400)

Terminal connection: 1 x 70 mm² rigid max.



	Weight (kg)
3 P + ⊕	3.5
3 P + N + ⊕	3.7

Hypra[®] IP 44 - panel appliance inlets and reversible boxes

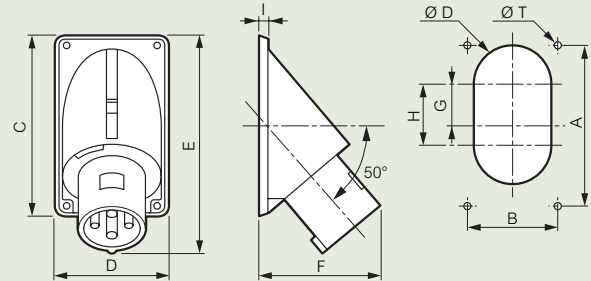
External screws in stainless steel - Nickel-plated contacts

■ Panel appliance inlets (inclined)

IP 44: LV 16, 32 and 63 A (p. 399)

Terminal connections:

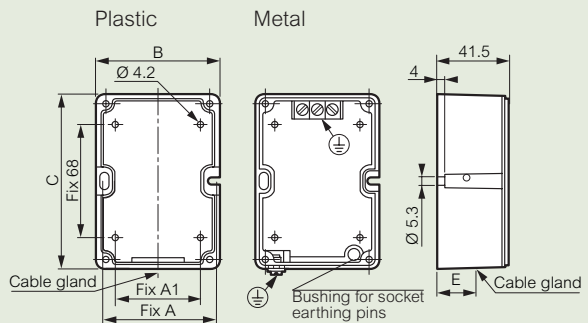
- 16 A: 1 x 2.5 mm² max. rigid
- 32 A: 1 x 6 mm² max. rigid
- 63 A: 1 x 25 mm² max. rigid



	Material	Weight (kg)	Drilling				Dimensions						
			A	B	øT	øD	G	H	C	D	E	F	I
LV - 16 A													
2P + ⊕	Plastic	0.140	94	62	4.5	40	-	-	104	72	121	78	6
	Metal	0.530											
3 P + ⊕	Plastic	0.160	109	83	4.5	40	-	-	120	94	135	86	6
	Metal	0.630											
3 P + N + ⊕	Plastic	0.190	109	83	4.5	40	-	-	120	94	139	86	6
	Metal	0.690											
LV - 32 A													
2P + ⊕	Plastic	0.280	149	90	5.5	40	-	-	160	101	176	111	6
	Metal	0.950											
3 P + ⊕	Plastic	0.280	149	90	5.5	40	-	-	160	101	176	111	6
	Metal	0.950											
3 P + N + ⊕	Plastic	0.320	149	90	5.5	40	-	-	160	101	174	108	6
	Metal	1.000											
LV - 63 A													
2P + ⊕	Plastic	0.560	163	93	6.5	80	42	62	183	113	221	120	8
	Metal	2.230											
3 P + ⊕	Plastic	0.630	163	93	6.5	80	42	62	183	113	221	120	8
	Metal	2.230											
3 P + N + ⊕	Plastic	0.690	163	93	6.5	80	42	62	183	113	221	120	8
	Metal	2.450											

■ Reversible boxes for surface appliance inlets

LV 16 A (p. 399)



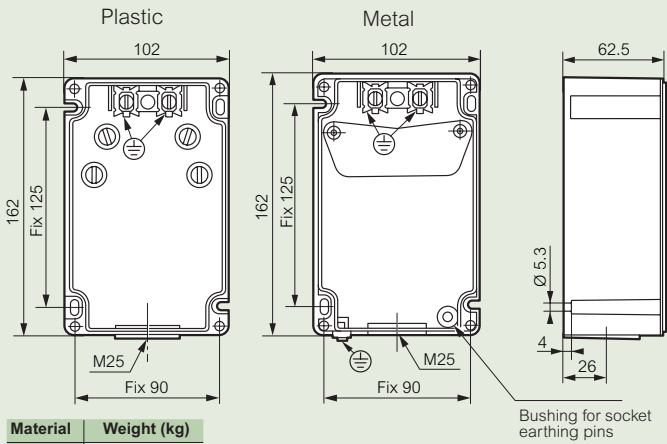
Fix A1 and Fix 68:
Blind optional fixing points

	Material	Weight (kg)	A	A1	B	C	E	Cable gland
2P + ⊕	Plastic	0.085	64	51	74	106	20	M20
	Metal	0.250					22	
3 P + ⊕	Plastic	0.110	85	68	96	122	22	M20
	Metal	0.360						

Hypra[®] IP 44 and IP 66/67-55 - surface appliance inlets and reversible boxes

LV 32 A (p. 399)

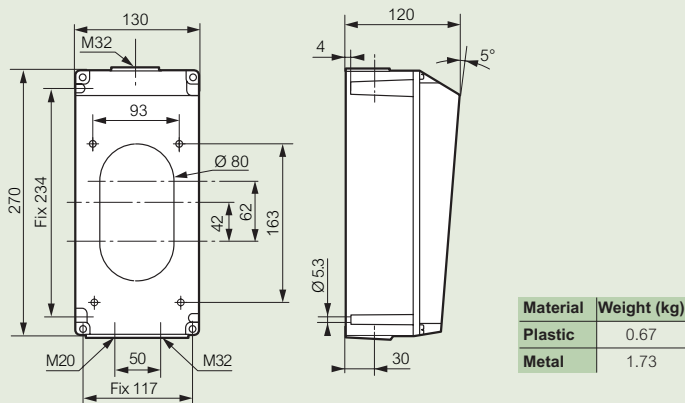
Fitted with 2 connected earth terminals and 1 outside terminal on metal box



Material	Weight (kg)
Plastic	0.240
Metal	0.650

LV 63 A (p. 399)

Fitted with 2 connected earth terminals and 1 outside terminal on metal box



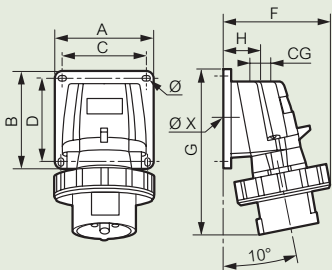
Material	Weight (kg)
Plastic	0.67
Metal	1.73

■ Surface appliance inlets

IP 66/67-55 - LV 16 and 32 A (p. 400)

Terminal connections:

- 16 A: 1 x 2.5 mm² max. rigid
- 32 A: 1 x 6 mm² max. rigid



	Weight	A/B	C/D	F	G	H	CG cable gland	Ø	ØX
16 A									
2P + ⊕	0.188	84	72	87	126	34	M 20	4.3	17
3P + ⊕	0.257	84	72	95	134	34			
3P + N + ⊕	0.297	84	72	100	141	34			
32 A									
2P + ⊕	0.370	110	98	107	168	39	M 25	5.3	24
3P + ⊕									
3P + N + ⊕									

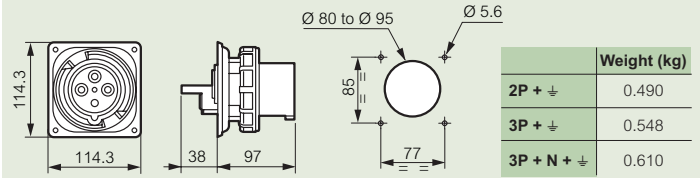
Hypra[®] IP 66/67 - appliance inlets and sockets with break isolating switch

■ Panel appliance inlets

External screws in stainless steel - Nickel-plated contacts

IP 66/67 - 63 A (p. 400)

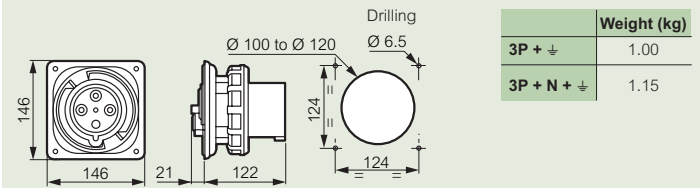
Can be fixed on box Cat.No 538 89
Terminal connection: 1 x 16 mm² max. rigid



	Weight (kg)
2P + ⊕	0.490
3P + ⊕	0.548
3P + N + ⊕	0.610

IP 66/67 - 125 A (p. 400)

Terminal connection: 1 x 50 mm² max. rigid



	Weight (kg)
3P + ⊕	1.00
3P + N + ⊕	1.15

■ Socket with break isolating switch

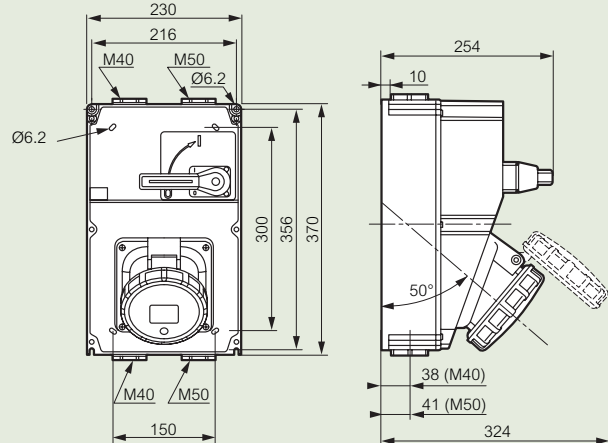
IP 67 - LV 125 A (p. 400)

IP 67 according to IEC and EN 60529

Icc 10 kA according to IEC and EN 60309-1

Panel mounting sockets: IK 09 according to IEC and EN 62262

External screws in stainless steel



Hypra[®] IP 44, IP66/67-55 and IP 66/67 straight and angled plugs

LV 16 to 125 A and ELV 16 and 32 A

Characteristics

External screws in stainless steel - Nickel-plated contacts

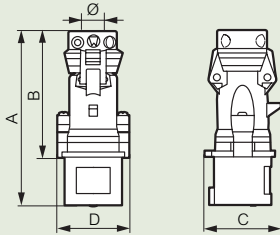
Terminal connection:

- LV 16 A: 1 x 2,5 mm² max. flexible
- LV 32 A: 1 x 6 mm² max. flexible
- LV 63 A: 1 x 16 mm² max. flexible
- LV 125 A: 1 x 50 mm² max. flexible
- ELV 16/32 A: 1 x 10 mm² max. flexible

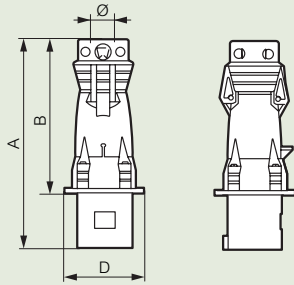
Dimensions

Straight plugs IP 44

LV and ELV 16/32 A (p. 399)



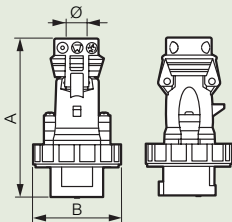
LV 63 A (p. 399)



	Material	Weight (kg)	Dimensions (mm)				Ø clamping and grip
			A	B	C	D	
LV 16 A							
2P + ⊕	Plastic	0.150	135	100	57	55	8 to 15
	Metal	0.365					
	Rubber	0.205					
3P + ⊕	Plastic	0.175	139	103	65	60	8 to 15
	Metal	0.425					
	Rubber	0.260					
3P + N + ⊕	Plastic	0.210	154	118	73	66	10 to 18
	Metal	0.535					
	Rubber	0.300					
LV 32 A							
2P + ⊕	Plastic	0.260	164	119	78	70,5	10 to 18
	Metal	0.645					
	Rubber	0.360					
3P + ⊕	Plastic	0.260	164	119	78	70,5	12 to 22
	Metal	0.645					
	Rubber	0.360					
3P + N + ⊕	Plastic	0.300	170	125	86	77	12 to 22
	Metal	0.685					
	Rubber	0.415					
LV 63 A							
2P + ⊕	Plastic	0.580	255	188,5	-	102	16 to 26
	Rubber	0.900					
3P + ⊕	Plastic	0.640	255	188,5	-	102	18,5 to 29
	Rubber	0.980					
3P + N + ⊕	Plastic	0.700	255	188,5	-	102	20,5 to 32
	Rubber	1.050					
ELV 16/32 A							
2P	Plastic	0.180	142	107	62	55	8,5 to 22

Straight plugs IP 66/67-55

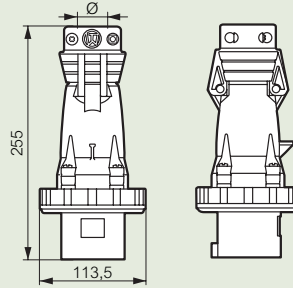
LV 16/32 A (p. 400)



	Weight (kg)	Dimensions (mm)		Ø clamping and grip
		A	B	
16 A				
2P + ⊕	0.165	135	72,5	8 to 15
3P + ⊕	0.195	139	81	8 to 15
3P + N + ⊕	0.220	154	86,5	10 to 18
32 A				
2P + ⊕	0.280	164	94,5	10 to 18
3P + ⊕	0.280	164	94,5	12 to 22
3P + N + ⊕	0.325	170	101	12 to 22

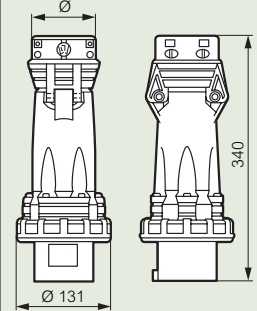
Straight plugs IP 66/67

LV 63 A (p. 400)



	Weight (kg)	Ø clamping and grip
2P + ⊕	0.620	16 to 26
3P + ⊕	0.680	18,5 to 29
3P + N + ⊕	0.750	20,5 to 32

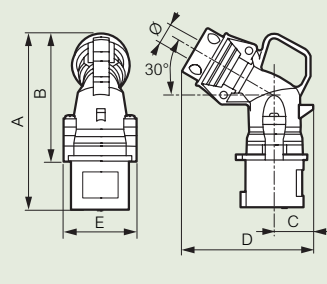
LV 125 A (p. 400)



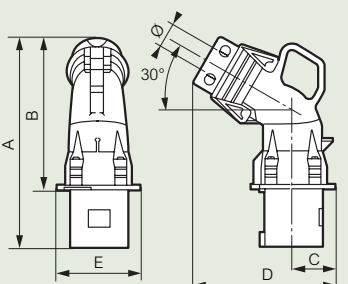
	Weight (kg)	Ø clamping and grip
3P + ⊕	1.5	24 to 48
3P + N + ⊕	1.7	28 to 48

Angled plugs IP 44

LV and ELV 16 and 32 A (p. 399)



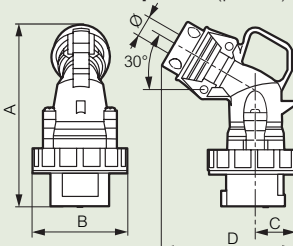
LV 63 A (p. 399)



	Material	Weight (kg)	Dimensions (mm)					Ø clamping and grip
			A	B	C	D	E	
LV 16 A								
2P + ⊕	Plastic	0.145	136	100	29,5	100	55	8 to 15
	Metal	0.395						
	Rubber	0.230						
3P + ⊕	Plastic	0.185	141	105	33,5	105	60	8 to 15
	Metal	0.455						
	Rubber	0.290						
3P + N + ⊕	Plastic	0.220	150	114	37,5	114	66	10 to 18
	Metal	0.585						
	Rubber	0.330						
LV 32 A								
2P + ⊕	Plastic	0.275	161	116	39,5	116	70,5	10 to 18
	Metal	0.745						
	Rubber	0.390						
3P + ⊕	Plastic	0.275	161	116	39,5	116	70,5	12 to 22
	Metal	0.745						
	Rubber	0.390						
3P + N + ⊕	Plastic	0.320	167	122	44,5	122	77	12 to 22
	Metal	0.790						
	Rubber	0.435						
LV 63 A								
2P + ⊕	Metal	0.100	243,5	177	51	168	102	16 to 26
	Metal	1.150						
3P + ⊕	Metal	1.150	243,5	177	51	168	102	18,5 to 29
	Rubber	1.030						
3P + N + ⊕	Metal	1.250	243,5	177	51	168	102	20,5 to 32
	Rubber	1.100						
ELV 16/32 A								
2P	Rubber	0.250	131	107	30	107	61	8,5 to 22

Angled plugs IP 66/67-55

LV 16-32 A - plastic (p. 400)



	Weight (kg)	Dimensions (mm)				Ø clamping and grip
		A	B	C	D	
16 A						
2P + ⊕	0.165	136	72,5	29,5	100	8 to 15
3P + ⊕	0.195	141	81	33,5	105	8 to 15
3P + N + ⊕	0.220	150	86,5	37,5	114	10 to 18
32 A						
2P + ⊕	0.280	161	94,5	39,5	116	10 to 18
3P + ⊕	0.280	161	94,5	39,5	116	12 to 22
3P + N + ⊕	0.325	167	101	44,5	122	12 to 22

Hypra[®] IP 44, IP 66/67-55 and IP66/67 mobile sockets

■ Characteristics

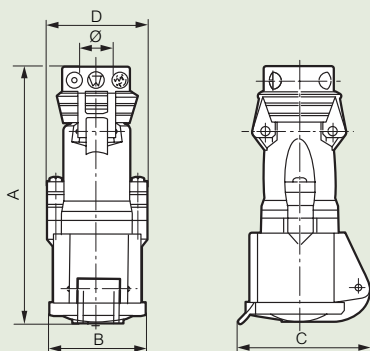
External screws in stainless steel - Nickel-plated contacts
Icc 10 kA according to IEC 60309-1

■ Dimensions

Mobile sockets IP 44 - LV and ELV 16 - 32 A (p. 399)

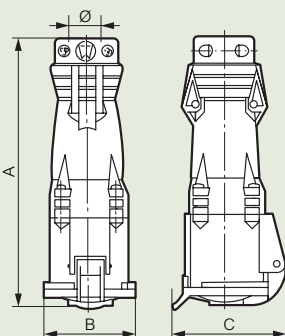
Terminal connections:

- LV 16 A: 1 x 2.5 mm² max. flexible
- LV 32 A: 1 x 6 mm² max. flexible
- ELV 16/32 A: 1 x 10 mm² max. flexible



LV 63 A (p. 399)

Terminal connection: 1 x 16 mm² max. flexible



	Material	Weight (kg)	Dimensions (mm)				Ø clamping and grip
			A	B	C	D	
LV 16 A							
2P + ⊥	Plastic	0.170	147	54.5	74	55	8 to 15
	Rubber	0.250	147	58	74	61	8 to 15
3P + ⊥	Plastic	0.200	151	61.5	81	60	8 to 15
	Rubber	0.285	151	65	81	66	8 to 15
3P + N + ⊥	Plastic	0.245	172	69.5	90	66	10 to 18
	Rubber	0.335	172	72.5	90	72	10 to 18
LV 32 A							
2P + ⊥	Plastic	0.300	177	71	93	70.5	10 to 18
	Rubber	0.400	177	74.5	93	76.5	10 to 18
3P + ⊥	Plastic	0.300	177	71	93	70.5	12 to 22
	Rubber	0.400	177	74.5	93	76.5	12 to 22
3P + N + ⊥	Plastic	0.350	183	77.5	100	77	12 to 22
	Rubber	0.475	183	80.5	100	83	12 to 22
LV 63 A							
2P + ⊥	Plastic	0.700	273	96	119	-	16 to 26
	Rubber	1.200	273	110	124	-	16 to 26
3P + ⊥	Plastic	0.770	273	96	119	-	18.5 to 29
	Rubber	1.300	273	110	124	-	18.5 to 29
3P + N + ⊥	Plastic	0.830	273	96	119	-	20.5 to 32
	Rubber	1.400	273	110	124	-	20.5 to 32
ELV 16/32 A							
2P / 3P	Plastic	0.190	148	54.5	74	55	8.5 to 22
2P	Rubber	0.240	148	58	74	61	8.5 to 22

Mobile sockets IP 66/67-55 and IP 66/67 (p. 400)

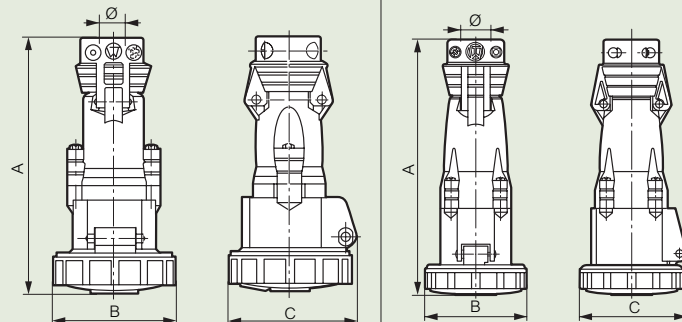
LV 16 - 32 A

Terminal connections:

- LV 16 A: 1 x 2.5 mm² max. flexible
- LV 32 A: 1 x 6 mm² max. flexible

LV 63 A

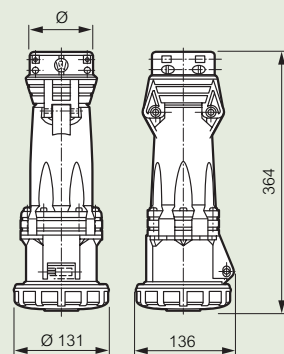
Terminal connection: 1 x 16 mm² max. flexible



	Material	Weight (kg)	Dimensions			Ø clamping and grip
			A	B	C	
LV 16 A						
2P + ⊥	Plastic	0.180	150	72.5	75.5	8 to 15
3P + ⊥	Plastic	0.215	154	81	86	8 to 15
3P + N + ⊥	Plastic	0.275	169	86.5	89	10 to 18
LV 32 A						
2P + ⊥	Plastic	0.320	179	94.5	99	10 to 18
3P + ⊥	Plastic	0.320	179	94.5	99	12 to 22
3P + N + ⊥	Plastic	0.375	185	101	105	12 to 22
LV 63 A						
2P + ⊥	Plastic	0.780	278	113.5	119	16 to 26
3P + ⊥	Plastic	0.850	278	113.5	119	18.5 to 29
3P + N + ⊥	Plastic	0.910	278	113.5	119	20.5 to 32

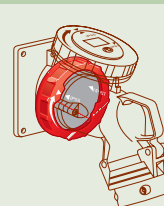
LV 125 A (p. 400)

Terminal connection: 1 x 50 mm² max. flexible

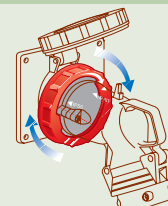


	Weight (kg)	Ø clamping and grip
125 A		
3P + ⊥	1.8	24 to 48
3P + N + ⊥	2.0	28 to 48

Hypra[®] IP 66/67-55



When connected⁽¹⁾, IP 55 guaranteed with the cover closed



IP 66/67 obtained with the ring locked

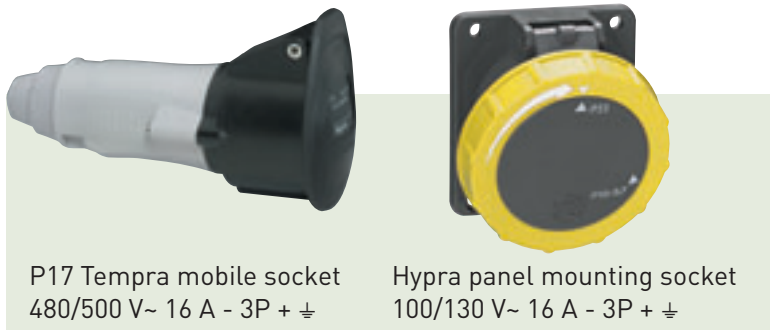
(1) with a pair of IP 66/67-55 products



Customize your choice

You need specific industrial plugs to suit the most demanding environment Legrand enables you to customize:

> P17 Tempra or Hypra plugs and sockets



Specific voltage ELV and LV such as :
42 V, 110 V, 440 V or more than 500 V

- Special frequencies such as:
50/60 Hz, 60 Hz, 100/300 Hz, 300/500 Hz
- Any polarity defined by the IEC 60309-2 standard



> P17 Tempra combined units

You may need to associate specific functions over what can afford the multiplicity of possible combinations of the P17 Tempra standard range

- Specific sockets (voltage, frequencies, polarity)
- Specific protection (MCBs, RCDs, transformers, RCBO, fuse carrier)



> Hypra combined units

You can have a specific Hypra combined units supplied mounted and connected according to your requirements

- Specific sockets (voltage, frequencies, polarity)
- Specific protection (MCBs, RCDs, transformers, RCBO, fuse carrier)



> Specific products Phase inverter plugs

- Straight plugs for changing the direction of rotation of a 3-phase electrical motor

INNOVAL TRAINING

Your profession is constantly advancing Are you?

New requirements are constantly appearing
Techniques and standards change
Products change



Directly with an international leader

- > In the Innoval training centre, created for you by Legrand, you will have your finger on the pulse of what is happening in your profession
- > With Legrand training you will be at the forefront, benefiting from the expertise of an international leader

Do you have the skills to meet all these requirements?

Be one of the front runners with the winning companies: get top-level training with Legrand



Workshops just like your sites

- > To provide you with practical, helpful training, the workshops simulate the environments of the sites you come across every day
- > The trainers, who have all worked in the field, speak your language: the language of the profession



**World Headquarters and
International Department
87045 LIMOGES CEDEX FRANCE**

☎ : 33 5 55 06 87 87

Fax : 33 5 55 06 74 55